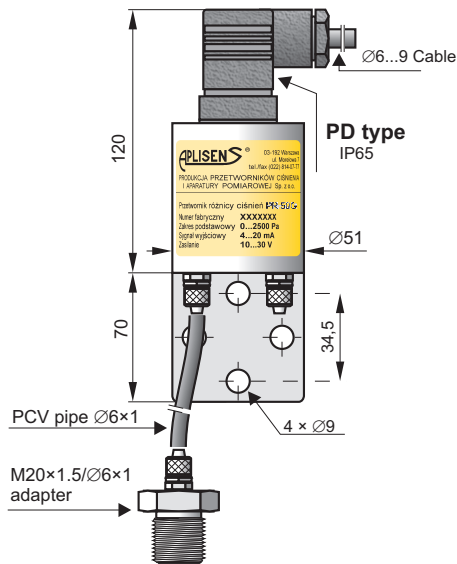
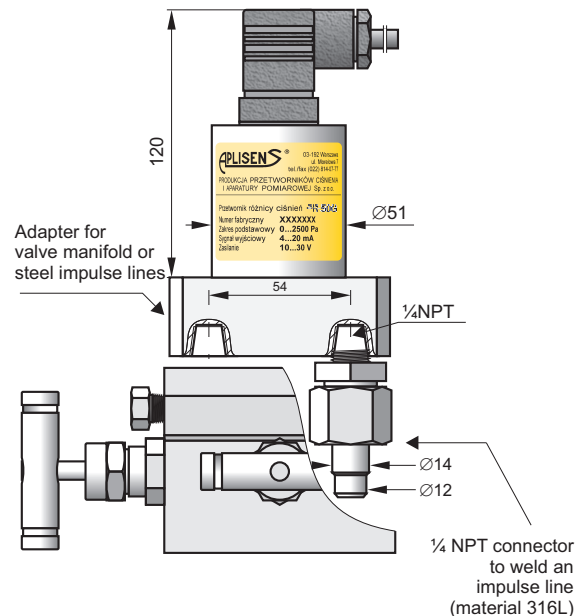


DIFFERENTIAL PRESSURE TRANSMITTER for low ranges PRE-50G

- ✓ Measuring range start from 250Pa
- ✓ Output signal: 4-20mA



PRE-50G Economic Version, process connection with terminal connecting to $\varnothing 6$ pipe (PCV type) An example with PD type Electrical Connection



PRE-50G Industrial Version, C type process Connector to be mounted along with a valve manifold

Application

The PRE-50G transmitter is applicable to gases, to the measurements of their pressure, underpressure and differential pressure. Typical applications include the measurement of blast pressure, chimney draughts or pressure / underpressure in furnace chambers. IP protection IP65.

Installation

The economical version can be mounted on any stable construction using the assembly fixture with $\varnothing 9$ opening. The transmitter's connection shanks have terminals to be connected to the elastic $\varnothing 6 \times 1$ impulse line. Where the pulse comes through a metal pipe, we suggest an M20 \times 1.5 adapter for a $\varnothing 6 \times 1$ fitting using.

The transmitter with a C type connector should be mounted on a 3- or 5-valve manifold. We recommend to use our pre-assembled transmitters with VM type valves (page IV/ 2).

Technical data

Any measuring range

250 Pa \div 20 kPa

	Measuring range			
	250 Pa	>250...700Pa	>700...2500 Pa	>2500 Pa
Overpressure limit				
Static pressure limit (repeated – without hysteresis)	35 kPa	35 kPa	100 kPa	100 kPa
Accuracy	1,6%	0,6%		0,3%
Thermal error 10°C	1%	0,6%	0,3%	

Hysteresis, repeatability 0,05% to 0,25%
depend on setting range

Thermal compensation range 5 ÷ 50°C

Operating temperature range -25 ÷ 80°C

Standard measuring range : 0...250; 0...500 Pa;

0...2; 0...5; 0...10 kPa;
-150...150; -250...250 Pa;
-0,5...0,5; -1...1; -2,5...2,5; -5...5; -10...10 kPa

Output signal 4 ÷ 20 mA two wire transmission
0 ÷ 10 V three wire transmission

Power supply 10...36 VDC two wire transmission
13...39 VDC three wire transmission

Error due to supply voltage changes 0,005% / V

Load resistance (for current output) $R[\Omega] \leq \frac{U_{sup}[V] - 10V}{0,02A}$

Load resistance (for supply output) $R \geq 20k\Omega$

Housing material 0H18N9 (SS304)

Adapters material C - SS316Ti

M20×1,5/Ø6×1 – brass

Valve manifolds SS316

Ordering procedure

Model	Code	Description
PRE-50G		Differential pressure transmitter
Measuring set range	/...+... [required units]	Calibrated range in relation to 4mA and 20mA output
Casing	/PD.....	Housing IP65 with DIN EN 175301-803 connector
Process connections	/PCV.....	Process connection with terminal connecting for Ø6mm elastic pipe. Mounting bracket for wall mounting is a standard.
	/C.....	Thread 1/4NPT F on the cover flanges, diaphragms material SS316L, cover flanges material SS316. Allows mounting with a valve manifold.
Accessories	/M20x1,5/Ø6.....	Adapter from Ø6mm elastic pipe for M20x1,5 M thread (only version with PCV process connection)
	/RedSpaw C.....	Connector to weld impulse pipes dia. 12 and 14 mm, material 15HM. (only version with process connection C type)
	/+VM-3/A.....	Assembled with a 3-way valve manifold (further specification of manifold - see data sheet) . Only version with C type process connection.
	/+VM-5/A.....	Assembled with a 5-way valve manifold (further specification of manifold - see data sheet) . Only version with C type process connection.
Other specification	/.....	Description of required parameters (e.g. non-standard pr. connection G3/4", M22x1,5)

Example: Differential pressure transmitter PRE-50G / range 0...1 kPa / output signal 4 ÷ 20 mA / process connection type PCV. adapter M20×1,5/Ø6×1 X 2 pcs.

PRE-50G / 0 ÷ 1 kPa / 4 ÷ 20 mA / PCV /2x adapter M20×1,5/Ø6×1