



## USER'S MANUAL

SMART PRESSURE TRANSMITTERS

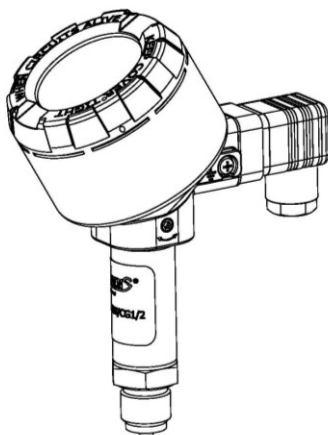
type: **PCE-28.SMART**

SMART DIFFERENTIAL PRESSURE TRANSMITTERS





type: **PRE-28.SMART**

SMART HYDROSTATIC LEVEL PROBES

type: **PCE-28P.SMART**



Symbols used

Symbol	Description
	Warning to proceed strictly in accordance with the information contained in the documentation in order to ensure the safety and full functionality of the device.
	Information particularly useful during installation and operation of the device.
	Information particularly useful during installation and operation of a type Ex device.
	Information on disposal of used equipment.

**BASIC REQUIREMENTS AND SAFE USE**



- **The manufacturer will not be liable for damage resulting from incorrect installation, failure to maintain the device in a suitable technical condition, or use of the device other than for its intended purpose.**
- Installation should be carried out by qualified staff having the required authorizations to install electrical and pressure-measuring devices. The installer is responsible for performing the installation in accordance with these instructions and with the electromagnetic compatibility and safety regulations and standards applicable to the type of installation.
- The device should be configured appropriately for the purpose for which it is to be used. Incorrect configuration may cause erroneous functioning, leading to damage to the device or an accident.
- In systems with pressure transmitters there exists, in case of leakage, a danger to staff on the side where the medium is under pressure. All safety and protection requirements must be observed during installation, operation and inspections.
- If a device is not functioning correctly, disconnect it and send it for repair to the manufacturer or to a firm authorized by the manufacturer.



- In order to minimize the risk of malfunction and associated risks to staff, the device is not to be installed or used in particularly unfavourable conditions, where the following dangers occur:
- possibility of mechanical impacts, excessive shocks and vibration;
  - excessive temperature fluctuation, exposure to direct sunlight;
  - condensation of water vapour, dust, icing



Installation of intrinsic safety versions should be performed with particular care, in accordance with the regulations and standards applicable to that type of installation.

Changes to the products manufacturing documentation may forestall a paper user updating. Current Instruction Manual is available at [www.aplisens.pl](http://www.aplisens.pl)

## CONTENTS

<b>I. APPENDIX Ex.ATEX</b> .....	<b>3</b>
<b>II. APPENDIX Ex.IECEx</b> .....	<b>8</b>
<b>1. INTRODUCTION</b> .....	<b>11</b>
<b>2. CONSIGNMENT CONTENTS</b> .....	<b>11</b>
<b>3. APPLICATIONS AND MAIN FEATURES</b> .....	<b>11</b>
<b>4. IDENTIFYING MARKS. ORDERING PROCEDURE</b> .....	<b>12</b>
<b>5. TECHNICAL DATA</b> .....	<b>12</b>
5.1. COMMON PARAMETERS.....	12
5.2. PCE-28.SMART - MEASUREMENT RANGES AND METROLOGICAL PARAMETERS.....	13
5.3. PRE-28.SMART - MEASUREMENT RANGES AND METROLOGICAL PARAMETERS.....	14
5.4. PCE-28P.SMART. MEASUREMENT RANGES AND METROLOGICAL PARAMETERS.....	15
<b>6. CONSTRUCTION, PRESSURE CONNECTORS, ELECTRICAL CONNECTORS</b> .....	<b>15</b>
6.1. MEASUREMENT PRINCIPLES.....	15
6.2. CONSTRUCTION.....	15
6.3. CASING, ELECTRICAL CONNECTIONS.....	16
<b>7. PLACE OF INSTALLATION OF TRANSMITTERS</b> .....	<b>16</b>
7.1. GENERAL RECOMMENDATIONS.....	16
7.2. LOW AMBIENT TEMPERATURE.....	17
7.3. HIGH MEDIUM TEMPERATURE.....	17
7.4. ELECTROSTATIC HAZARDS.....	17
7.5. MECHANICAL VIBRATION, CORROSIVE MEDIA.....	17
<b>8. INSTALLATION AND MECHANICAL CONNECTIONS</b> .....	<b>18</b>
<b>9. ELECTRICAL CONNECTION</b> .....	<b>19</b>
9.1. GENERAL RECOMMENDATIONS.....	19
9.2. CONNECTIONS FOR TRANSMITTERS WITH PD-TYPE CONNECTOR.....	19
9.3. CONNECTIONS FOR TRANSMITTERS WITH TERMINAL BOX (PZ-TYPE CONNECTOR).....	19
9.4. CONNECTIONS FOR TRANSMITTERS WITH PK, PKD, PM12 OR SG-TYPE CONNECTOR.....	19
9.5. CONNECTIONS FOR TRANSMITTERS WITH ALW-TYPE OR ALM-TYPE CONNECTOR.....	19
9.6. PROTECTION FROM EXCESS VOLTAGE.....	19
9.7. EARTHING.....	20
<b>10. SETTING AND REGULATION</b> .....	<b>20</b>
10.1. TRANSMITTER RANGE, DEFINITIONS.....	20
10.2. CONFIGURATION AND CALIBRATION.....	21
10.3. CONFIGURATION OF THE PCE-28 WITH ALW-TYPE OR ALM-TYPE CONNECTION.....	22
<b>11. SERVICES AND SPARE PARTS</b> .....	<b>25</b>
11.1. PERIODIC SERVICE.....	25
11.2. UNSCHEDULED INSPECTIONS.....	25
11.3. CLEANING THE DIAPHRAGM SEAL, OVERLOADING DAMAGE.....	25
11.4. SPARE PARTS.....	25
<b>12. PACKING, STORAGE AND TRANSPORT</b> .....	<b>25</b>
<b>13. GUARANTEE</b> .....	<b>26</b>
<b>14. SCRAPPING, DISPOSAL</b> .....	<b>26</b>
<b>15. ADDITIONAL INFORMATION</b> .....	<b>26</b>
14.1. RELATED DOCUMENTS.....	26
14.2. RELATED STANDARDS.....	26
<b>15. FIGURES</b> .....	<b>26</b>
FIG.1. PCE-28.SMART SERIES TRANSMITTERS – BLOCK DIAGRAM.....	26
FIG.2. ELECTRICAL CONNECTIONS. PCE-28.SMART SERIES TRANSMITTERS.....	27
FIG.3. PCE-28.SMART PRESSURE TRANSMITTER WITH PD, PK SG, PM12 CONNECTOR.....	28
FIG.4. PCE-28.SMART PRESSURE TRANSMITTER WITH PZ CONNECTOR.....	29
FIG. 5 PCE-28.SMART TRANSMITTER WITH ALW-TYPE CONNECTOR: DIMENSIONS AND METHODS OF CONNECTION.....	29
FIG.6 PCE-28.SMART TRANSMITTER WITH ALM-TYPE CONNECTOR: DIMENSIONS AND METHODS OF CONNECTION.....	30
FIG.7. VIEW OF THE TRANSMITTER WITH ALW-TYPE CONNECTOR AFTER REMOVING THE DISPLAY COVER.....	31
FIG. 8A. VIEW OF DISASSEMBLED DISPLAY ASSEMBLY.....	32
FIG. 8B. BACKLIGHTING JUMPER VIEW AT TRANSMITTER ELECTRIC BOARD (UNIT DISPLAY BACK SIDE).....	32
FIG.9. M-TYPE CONNECTOR WITH M20X1.5 THREAD.....	33
FIG.10. P-TYPE CONNECTOR WITH M20X1.5 THREAD.....	33
FIG.11. CM30X2-TYPE CONNECTOR WITH FLUSH DIAPHRAGM WITH M30X2 THREAD.....	33
FIG.12. G1/2" AND G1" PROCESS CONNECTIONS.....	34
FIG.13. PRE-28.SMART DIFFERENTIAL PRESSURE TRANSMITTER WITH PD, PK CONNECTOR.....	35
FIG.14. PRE-28.SMART DIFFERENTIAL PRESSURE TRANSMITTER WITH C-TYPE PROCESS CONNECTION.....	36
FIG.15. PCE-28P.SMART LEVEL PROBE.....	37

FIG. 16. PRE-28.SMART DIFFERENTIAL PRESSURE TRANSMITTER WITH A SINGLE DIRECT DIAPHRAGM SEAL. ....	38
FIG. 17. EXAMPLE: HOW TO INSTALL THE PRE-28.SMART .....	38
FIG. 18. EXAMPLE: HOW TO INSTALL THE PRE-28.SMART TRANSMITTER ON A VERTICAL OR HORIZONTAL PIPE .....	39
FIG. 19. EXAMPLE: HOW TO INSTALL THE PRE-28.SMART TRANSMITTER WITH A VALVE MANIFOLD TO A WALL.....	39
FIG. 20. POSSIBLE METHODS OF ISOLATING THE TRANSMITTER FROM HIGH TEMPERATURES. ....	40
FIG. 21. ADDITIONAL EQUIPMENT FOR FITTING OF PRESSURE TRANSMITTERS.....	40

## I. APPENDIX Ex.ATEX



PCE–28.SMART/XX/YY SMART PRESSURE TRANSMITTER  
 PCE–28P.SMART/YY SMART LEVEL PROBE  
 PRE–28.SMART/XX/YY SMART DIFFERENTIAL PRESSURE TRANSMITTER  
 Ex VERSIONS according to ATEX

### 1. Introduction

1.1. The „Appendix Ex.ATEX” to IO.PCE.PRE-28.SMART.01(ENG) applies to PCE-28.SMART/XX/YY, PCE-28P.SMART/YY and PRE-28.SMART/XX/YY transmitters.

1.2. The appendix contains supplementary information relating to the Ex version transmitters.

During installation and use of the Ex transmitters, reference should be made to IO.PCE.PRE-28.SMART.01(ENG) in conjunction with “Appendix Ex.ATEX”.

### 2. Using of PCE–28.SMART/XX/YY, PCE–28P.SMART/YY and PRE–28.SMART/XX/YY transmitters in danger zones

2.1. The PCE–28.SMART, PCE–28P.SMART and PRE–28.SMART transmitters are produced in accordance with the requirements of the following standards: EN 60079-0:2012+A11:2013, EN 60079-11:2012, EN 50303:2000.

2.2. The transmitters with PD, PZ, PK, PKM, SG, SGM type electrical connectors may operate in areas where there is a risk of explosion, in accordance with the rating of the explosion protection design:



I M1 Ex ia I Ma  
 II 1/2G Ex ia IIC T4/T5/T6 Ga/Gb  
 II 1D Ex ia IIIC T105°C Da  
 KDB 12ATEX0071X

2.3. The transmitters with PM12 and PKD type electrical connectors are permitted only for explosive gas atmosphere, in accordance with the rating of the explosion protection design:



II 1/2G Ex ia IIC T4/T5/T6 Ga/Gb  
 KDB 12 ATEX 0071X

2.4. The transmitters with ALW with PM12 or ALM with PM12 type electrical connectors are permitted only for explosive gas atmosphere, in accordance with the rating of the explosion protection design:



II 1/2G Ex ia IIC T4 Ga/Gb  
 KDB 12 ATEX 0071X

2.5. The transmitters with ALW with PD or ALM with PD type electrical connectors are approved for gas and dust explosive atmospheres, in accordance with the rating of the explosion protection design:



II 1/2G Ex ia IIC T4 Ga/Gb  
 II 1D Ex ia IIIC T105°C Da  
 KDB 12 ATEX 0071X

### 3. Identifying marks

Intrinsically safe transmitters (Ex version) have a rating plate containing the information specified in paragraph 4 of IO.PCE.PRE-28.SMART.01(ENG) and also at least the following:

- CE mark and the notified unit number;
- Mark “Ex”, designation of explosion protection design, certificate number
- Values of parameters such as: Ui, li, Ci, Li,
- Manufacture year and serial number,
- Inscription: "Version SA "- for transmitters with the protection against overvoltage (surge arrester).

### 4. Consignment contents

Together with the transmitter are delivered:

- a) Product certificate, which is also as the warranty card,
- b) Declaration of Conformity – on request,
- c) Certificate copy – on request,
- d) User’s Manual signed „IO.PCE.PRE-28.SMART.01(ENG)”.

Items b), c), d) are additionally available at [www.aplisens.pl](http://www.aplisens.pl)

## 5. Permissible input parameters (based on data from the KDB 12ATEX 0071X certificates)

Permissible input parameters for power supply with:

- Linear characteristic -  $U_i = 30V$  DC;  $I_i = 0,1A$   $P_i$  - according to the table below
- "Trapezoidal" and "rectangular" characteristic -  $U_i = 24V$  DC;  $I_i = 0,1A$ ,  $P_i$  - according to the table below

$T_a = -40^\circ C$  to the values given in the table below.

$P_i[W]$	$T_a[^\circ C]$	Temperature classification
0,75	50	T6
	70	T5
	80, 75*	T4, and Group I
1,2	40	T6
	65	T5
	80, 75*	T4, and Group I

$T_a$  – maximum ambient temperature, temperature of the measured medium;

\* Ambient temperature for transmitter with ALW or ALM connection  $T_a = -40^\circ C \div 75^\circ C$ ; T4

Input inductance and capacity:  $C_i = 11nF$ ;  $L_i = 0,611mH$   
 Transmitter with ALW or ALM connector:  $C_i = 25nF$ ;  $L_i = 0,61mH$   
 Capacitance and inductance of the cable:  $C_k = 0,2nF/m$ ;  $L_k = 1\mu H/m$

### 5.1. Special conditions for safe use

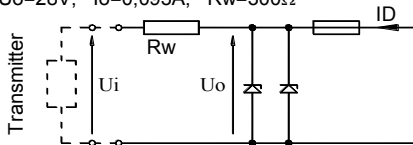
- Version of transmitter with surge arrester, marked on the plate "Version SA", does not meet the requirements of Section 10.3 of the EN 60079-11(500Vrms). The relevant information for the user is included in the manual.
- Transmitters with display, (with electrical connection ALW or ALM) and transmitters with a plastic rating plate and transmitters with teflon coated diaphragm seals for Group III, should be installed in a place and in a way that prevents electrostatic charging – see p. 7.4 IO.PCE.PRE-28.SMART.01(ENG).



- If the elements made of titanium are used in the construction of the device, during installation and operation of the transmitter these elements should be protected against direct access.

## 6. Supply examples

Power supply with a "linear" characteristic may be e.g. a typical barrier with parameters:  
 $U_o=28V$ ;  $I_o=0,093A$ ;  $R_w=300\Omega$



Example of practical provision of power supply:  
 use the barrier with the parameters given above.

Fig.1. Power supply from a source with "linear" characteristic.

Example of power supply from a source with trapezoidal characteristic (see Fig.2).

$U_o=24V$ ;  $I_o=0,05A$

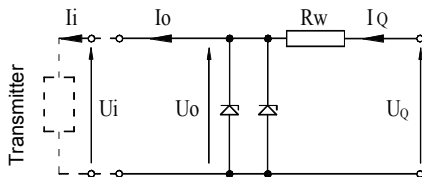


Fig.2. Power supply from a source with trapezoidal characteristic.

If  $U_o < \frac{U_q}{2}$  then parameters  $U_q$ ,  $I_o$ ,  $P_o$  are interrelated as follows:

$$U_q = \frac{4P_o}{I_o}, \quad R_w = \frac{U_q}{I_o}, \quad P_o = \frac{U_o(U_q - U_o)}{R_w}$$

For power supply with rectangular characteristic:

The supply of power from a source with a rectangular characteristic means that the voltage of the Ex power supply remains constant until current limitation activates.

The protection level of power supplies with a rectangular characteristic is normally "ib".

The transmitter powered from such supply is also the Ex device with "ib" level protection.

Example of practical provision of power supply with a rectangular characteristic:

Stabilized power supply with  $U_0=24V$ , with the "ib" level protection and current limited to  $25mA < I_0 < 50mA$ .

**6.1. The protection level**

The transmitter is intrinsically safe device with the degree of protection "ia", when the power circuit has a degree of protection "ia".

The transmitter is intrinsically safe device with the degree of protection "ib", when the power circuit has a degree of protection "ib".

**7. How to connect Ex transmitters: PCE-28.SMART, PCE-28P.SMART, PRE-28.SMART**

The transmitter and other devices in the measuring loop should be connected in accordance with the intrinsic-safety and explosion-safety regulations and the conditions for use in dangerous areas.



Failure to observe the intrinsic-safety regulations can cause explosion and the resulting hazard to people.

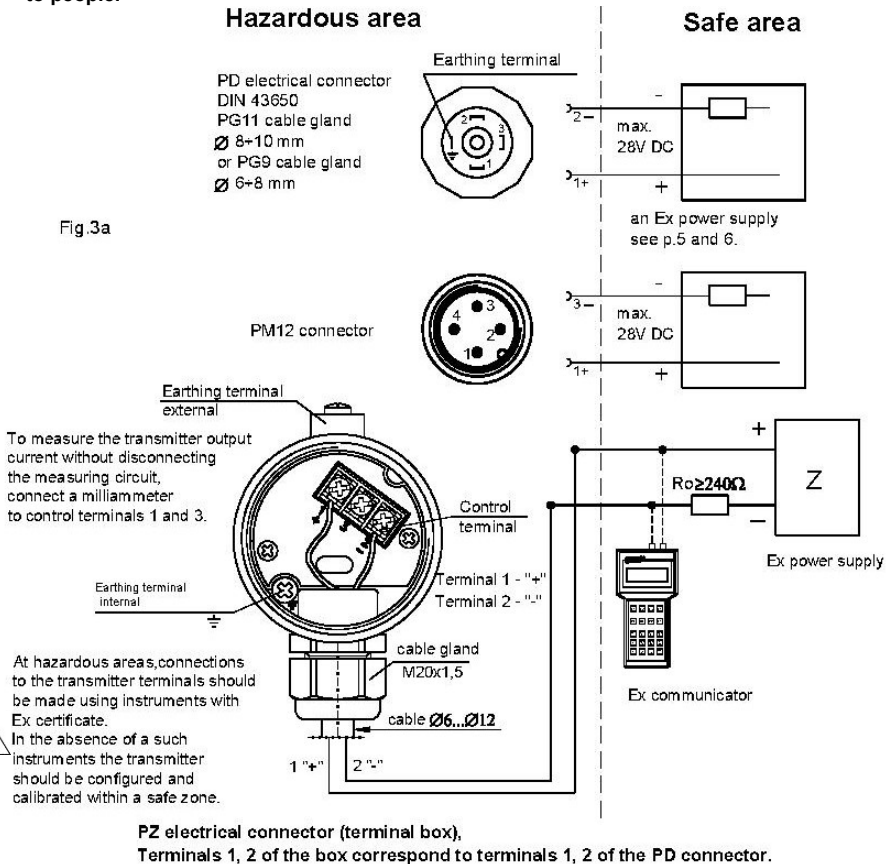
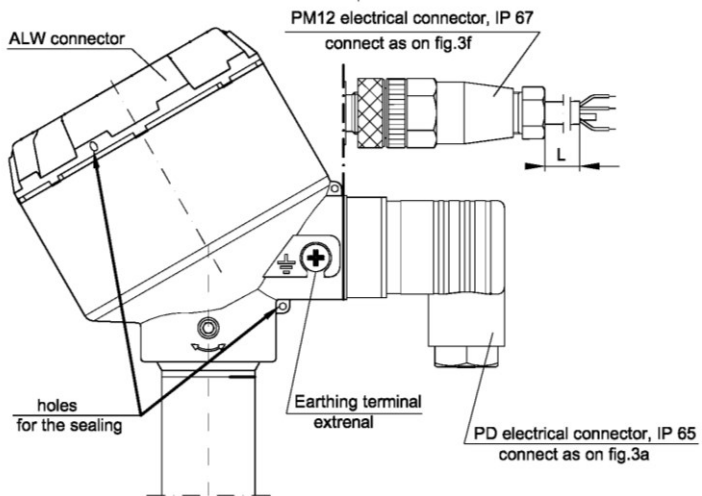
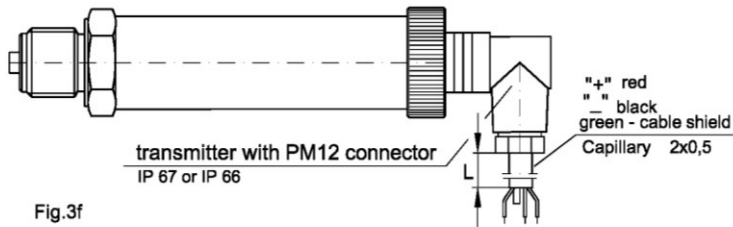
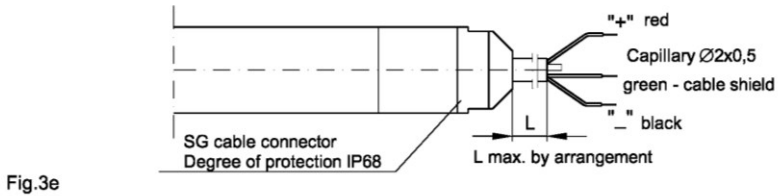
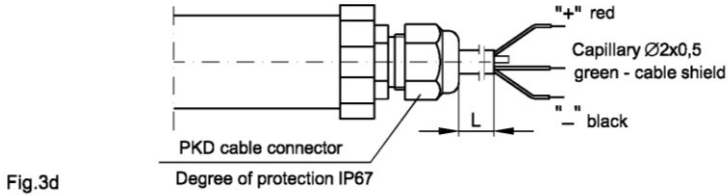
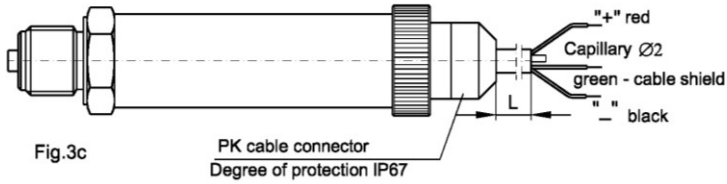


Fig.3b





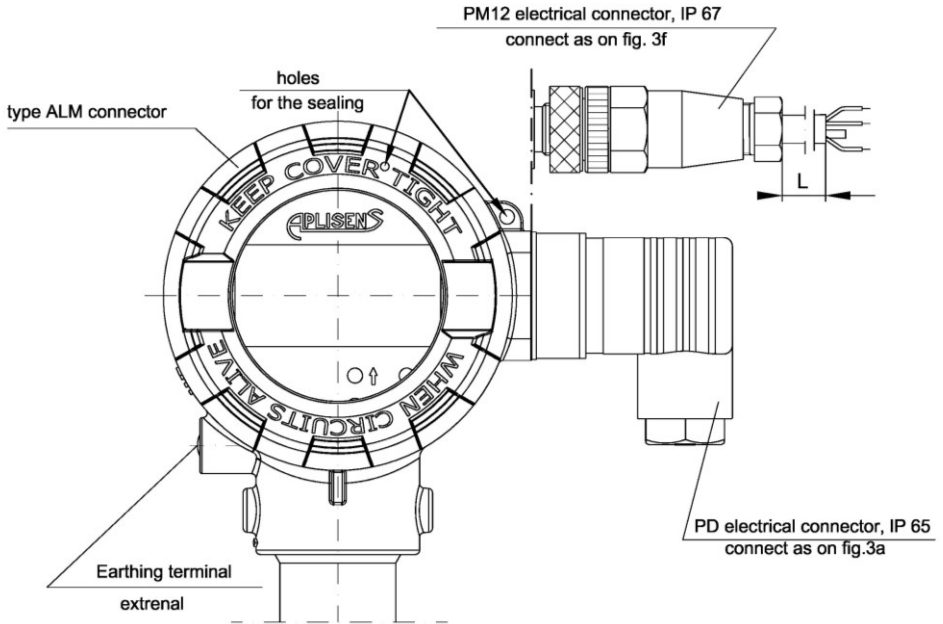


Fig.3h



**It is not allowed to repair or otherwise interfere with the transmitter's electrical circuits in any way. Damage and possible repair can be assessed and done by the manufactures or another authorized party only.**

## 8. Installation rules

Installing rules intrinsically safe devices in hazardous areas used according to EN 60079-25 and EN 60079-14.

## II. APPENDIX Ex.IECEX



PCE–28.SMART/XX/YY SMART PRESSURE TRANSMITTER  
PCE–28P.SMART/YY SMART LEVEL PROBE  
PRE–28.SMART/XX/YY SMART DIFFERENTIAL PRESSURE TRANSMITTER  
Ex VERSIONS according to IECEx

### 1. Introduction

1.1. The „Appendix Ex.IECEX” to IO.PCE.PRE-28.SMART.01(ENG) applies to PCE-28.SMART/XX/YY, PCE-28P.SMART/YY and PRE-28.SMART/XX/YY.

1.2. The appendix contains supplementary information relating to the Ex version transmitters. During installation and use of the Ex transmitters, reference should be made to IO.PCE.PRE-28.SMART.01(ENG) in conjunction with “Appendix Ex.IECEX”.

### 2. Using of PCE–28.SMART/XX/YY, PCE–28P.SMART/YY and PRE–28.SMART/XX/YY transmitters in danger zones

2.1 The PCE–28.SMART, PCE–28P.SMART and PRE–28.SMART transmitters are produced in accordance with the requirements of the following standards: IEC 60079-0:2011, IEC 60079-26:2014, IEC 60079-11:2011.

2.2. The transmitters with PD, PZ, PK, PKM, SG, SGM type electrical connectors may operate in areas where there is a risk of explosion, in accordance with the rating of the explosion protection design:

**Ex ia IIC T4/T5/T6 Ga/Gb**

**Ex ia I Ma**

**Ex ia IIIC T105°C Da**

**IECEx KDB 12.0010X**

2.3. The transmitters with PM12 and PKD type electrical connectors are permitted only for explosive gas atmosphere, in accordance with the rating of the explosion protection design:

**Ex ia IIC T4/T5/T6 Ga/Gb**

**IECEx KDB 12.0010X**

2.4. The transmitters with ALW with PM12 or ALM with PM12 type electrical connectors are permitted only for explosive gas atmosphere, in accordance with the rating of the explosion protection design:

**Ex ia IIC T4 Ga/Gb**

**IECEx KDB 12.0010X**

2.5. The transmitters with ALW with PD or ALM with PD type electrical connectors are approved for gas and dust explosive atmospheres, in accordance with the rating of the explosion protection design:

**Ex ia IIC T4 Ga/Gb**

**Ex ia IIIC T105°C Da**

**IECEx KDB 12.0010X**

### 3. Identifying marks

Intrinsically safe transmitters (Ex version) have a rating plate containing the information specified in paragraph 4 of IO.PCE.PRE-28.SMART.01(ENG) and also at least the following:

- designation of explosion protection design, certificate number
- values of parameters such as: Ui, li, Ci, Li,
- manufacture year and serial number,
- inscription: " Version SA " - for transmitters with the protection against overvoltage (surge arrester).

### 4. Consignment contents

Together with the transmitter are delivered:

- a) „Product certificate”, which is also as the warranty card,
- b) Certificate copy – on request,
- c) User’s Manual signed „IO.PCE.PRE-28.SMART.01(ENG)”.

Items b), c), are additionally available at [www.aplisens.pl](http://www.aplisens.pl)

### 5. Permissible input parameters

Permissible input parameters for power supply with:

- Linear characteristic  $U_i = 30V\ DC; I_i = 0,1A$
- "Trapezoidal" and "rectangular" characteristic  $U_i = 24V\ DC; I_i = 0,1A$

$T_a = -40^{\circ}C$  to the values given in the table below.

$P_i[W]$	$T_a[^{\circ}C]$	Temperature classification
0,75	50	T6
	70	T5
	80, 75*	T4, and Group I
1,2	40	T6
	65	T5
	80, 75*	T4, and Group I

$T_a$  – maximum ambient temperature, temperature of the measured medium

\* Ambient temperature for transmitter with ALW or ALM connection  $T_a = -40^{\circ}C \div 75^{\circ}C; T4$

- Input inductance and capacity:  $C_i = 11nF; L_i = 0,61mH$
- Transmitter with ALW or ALM connector:  $C_i = 25nF; L_i = 0,61mH$
- Capacitance and inductance of the cable:  $C_k = 0,2nF/m; L_k = 1\mu H/m$

#### 5.1. Special conditions for safe use

- Version of transmitter with surge arrester, marked on the plate "Version SA", does not meet the requirements of Section 10.3 of the EN 60079-11(500Vrms). This must be taken into account when installing the equipment.
- Transmitters with display, (with electrical connection ALW or ALM) and transmitters with a plastic rating plate and transmitters with teflon coated diaphragm seals for Group III, should be installed in a place and in a way that prevents electrostatic charging – see p. 7.4 IO.PCE.PRE-28.SMART.01(ENG).



- If the elements made of titanium are used in the construction of the device, during installation and operation of the transmitter these elements should be protected against direct access.

### 6. Supply examples

Power supply with a linear characteristic may be e.g. a typical barrier with parameters:

$U_o=28V; I_o=0,093A; R_w=300\Omega$

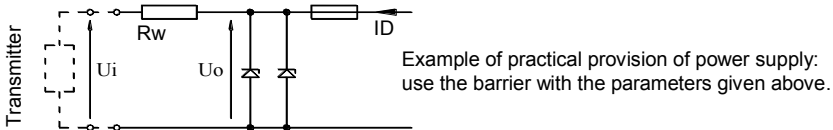


Fig.1. Power supply from a source with linear characteristic.

Example of power supply from a source with trapezoidal characteristic (see Fig.2).

$U_o=24V; I_o=0,05A$

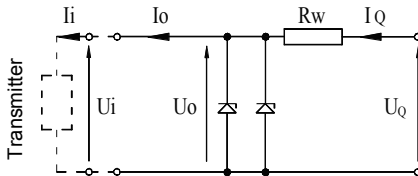


Fig.2. Power supply from a source with trapezoidal characteristic.

If  $U_o < \frac{U_Q}{2}$  then parameters  $U_Q, I_o, P_o$  are interrelated as follows:

$$U_Q = \frac{4P_o}{I_o}, \quad R_w = \frac{U_Q}{I_o}, \quad P_o = \frac{U_o(U_Q - U_o)}{R_w}$$

For power supply with rectangular characteristic:

The supply of power from a source with a rectangular characteristic means that the voltage of the Ex power supply remains constant until current limitation activates.

The protection level of power supplies with a rectangular characteristic is normally "ib".

The transmitter powered from such supply is also the Ex device with "ib" level protection.

Example of practical provision of power supply with a rectangular characteristic:

Stabilized power supply with  $U_0=24V$ , with the "ib" level protection and current limited to  $25mA < I_0 < 50mA$ .

#### **6.1. The protection level**

The transmitter is intrinsically safe device with the degree of protection "ia", when the power circuit has a degree of protection "ia".

The transmitter is intrinsically safe device with the degree of protection "ib", when the power circuit has a degree of protection "ib".

### **7. How to connect Ex transmitters: PCE-28.SMART/XX/YY, PCE-28P.SMART/YY, PRE-28.SMART/XX/YY acc. to p.7 IO.PCE.PRE-28.SMART.01(ENG). Appendix Ex.ATEX**

## 1. INTRODUCTION

1.1. This user's manual is intended for **PCE-28.SMART** electronic pressure transmitters, **PRE-28.SMART** differential pressure transmitters and **PCE-28P.SMART** level probes users. Containing the data and guidelines necessary to understand the functioning of the transmitters and how to operate them. It includes essential recommendations concerning installation and use, as well as emergency procedures.

1.2. Complementary technical data for the **PCE-28.SMART** and **PRE-28.SMART** transmitters with diaphragm seal connectors and technical data for seals are contained in the catalogue cards "DIAPHRAGM SEALS".

1.3. The transmitters comply with the following requirements of EU directives and other requirements, according to the marking on their rating plates and their Declarations of Conformity.

<b>ATEX</b>	<p><b>ATEX</b> directive, <b>Exi</b> intrinsically safe version, certificate No. <b>KDB 12 ATEX 0071X</b>.</p> <p><i>Additional data on <b>PCE-28.SMART</b>, <b>PRE-28.SMART</b> transmitters and <b>PCE-28P.SMART</b> probes in <b>Exi</b> versions covered by the common <b>EC-type</b> test certificate <b>KDB 12ATEX0071X</b> are contained in the appendix designated <b>Appendix Ex.ATEX</b>.</i></p>
<b>IECEX</b>	<p>The requirements of <b>IECEX</b> organization, <b>Exi</b> version, certificate No <b>IECEX KDB12.0010X</b></p> <p><i>Additional data on <b>PCE-28.SMART</b>, <b>PRE-28.SMART</b> transmitters and <b>PCE-28P.SMART</b> probes in <b>Exi</b> versions covered by the common type test certificate are contained in the appendix designated <b>Appendix Ex.IECEX</b>.</i></p>
<b>EMC</b>	<p><b>EMC</b> directive.</p> <p><i>The transmitters: <b>PCE-28.SMART</b>, <b>PRE-28.SMART</b> and <b>PCE-28P.SMART</b> in all versions meet the requirements <b>EMC Directive</b> in accordance with standards: <b>EN 61326-1:2013</b>, <b>EN 61000-6-2:2005</b>.</i></p>
<b>MR</b> <i>(marine)</i>	<p><b>DNV-GL</b> requirements</p> <p><i>The pressure transmitters: <b>PCE-28.SMART</b>, <b>PRE-28.SMART</b> in realization for sea uses are complied with <b>DNV-GL Rules for Classification of Ships, High Speed &amp; Light Craft</b> acc. to <b>DNV Standard for Certification No. 2.4, April 2006</b>, in following Location Classes: Temperature <b>D</b>, Humidity: <b>B</b>, Vibrations: <b>B</b>, <b>EMC</b>: <b>B</b>, Enclosure: <b>C</b>. <b>PC(R)E-28.SMART/ALW</b> &amp; <b>PC(R)E-28.SMART/ALM</b> versions are not approved for this requirements.</i></p> <hr/> <p><b>BV</b> requirements</p> <p><i>The pressure transmitters: <b>PCE-28.SMART</b>, <b>PRE-28.SMART</b> in realization for sea uses are complied with <b>Bureau Veritas (BV) for Classification of Ships, High Speed &amp; Light Craft</b> acc. to the requirements of <b>NR320</b> for <b>HBV</b> products. <b>PC(R)E-28.SMART/ALW</b> &amp; <b>PC(R)E-28.SMART/ALM</b> versions are not approved for this requirements.</i></p>
<b>RoHS</b>	<p><b>RoHS</b> directive.</p> <p><i>The transmitters: <b>PCE-28.SMART</b>, <b>PRE-28.SMART</b> and <b>PCE-28P.SMART</b> in all versions are complied with the <b>RoHS Directive</b> requirements in accordance with <b>PN-EN 50581:2013-03</b> standard.</i></p>

## 2. CONSIGNMENT CONTENTS

Transmitters are delivered in single and/or multiple packs.

Together with the transmitter are delivered:

- a) „Product certificate”, which is also as the warranty card,
- b) Declaration of Conformity - on request,
- c) Certificate copy – on request,
- d) User's Manual signed „IO.PCE.PRE-28.Smart.01(ENG)”.

Items b), c), d) are available at [www.aplisens.pl](http://www.aplisens.pl)

## 3. APPLICATIONS AND MAIN FEATURES

3.1. The **PCE-28.SMART** pressure transmitters are designed to measure gauge pressure, vacuum pressure and absolute pressure of gases, vapours and liquids (including corrosive).

3.2. **PRE-28.SMART** differential pressure transmitters are used to measure liquid levels in closed tanks, static pressure up to 25MPa or 32MPa for special versions, and to measure differential pressure at filters, orifices and others.

**PRE-28.SMART** differential pressure transmitters with P-type connectors are designed to work with static pressure of up to 4MPa or 7MPa only.



3.3. The **PCE-28.SMART**, **PRE-28.SMART** can be fitted with a range of additional process connectors, enabling them to be used in a conditions variety, such as dense media, reactive media, high and low temperature etc.

3.4. For depth measurements in open tanks, the transmitters are fitted with sensing modules with an extension tube, and are referred to as the **PCE-28P.SMART** level probes (for details see Section 12).

**3.5. PCE-28.SMART** series transmitters generate a 4...20mA + Hart 5.1 output signal and a digital communication signal in a two-wire system.

The use of smart electronics enables regulation of the zero point, the measurement range, damping, radical conversion characteristic and another function using an Aplisens **KAP** communicator or a HART/RS232 converter, Aplisens "RAPORT 2" configuration software and a PC computer.

## 4. IDENTIFYING MARKS. ORDERING PROCEDURE.

**4.1.** Every transmitter and probe carries a rating plate containing at least the following information: CE mark, notified institutions numbers and certificates obtained designations, manufacturer name, type, serial number, measurement range, output signal, and power supply voltage.

**4.2.** **PCE-28.SMART** series transmitters in Ex version, in accordance with the ATEX directive, have additional marks as described in **DTR.PCE.PRE-28.SMART.01(ENG) Appendix Ex.ATEX** p.3.

**i** **4.3.** **PCE-28.SMART** series transmitters in Ex version, in accordance with the IECEx directive, have additional marks as described in **DTR.PCE.PRE-28.SMART.01(ENG) Appendix Ex.IECEx** p.3.

**4.4.** **PCE-28.SMART** series transmitters in realization for sea uses have an additional rating plate with certificate number.

**4.5.** The designations to be used when ordering can be found in the Catalogue Cards.

## 5. TECHNICAL DATA

### 5.1. Common parameters

#### 5.1.1. Electrical parameters

Transmitter type	Power supply	Note
Normal version	7,5 ÷ 55V DC	
Normal version with ALW or ALM type connection	11* ÷ 55V DC	
Intrinsically safe Exi	7,5 ÷ 30V DC	See appendix Ex.ATEX or Ex.IECEx
Intrinsically safe Exi with ALW or ALM type connection	11* ÷ 30V DC	

*\*) Turn on the backlight indication of transmitters with an ALW or ALM connection increases the minimum supply voltage for all versions of 3V (p. 10.3.3). The method of self-turn on or off the backlight is shown in Figure 7.*

Output signal	4÷20mA + HART 5.1
Communication	HART Protocol via a 4÷20mA signal loop using specialized Aplisens equipment
Resistance required for HART communication	min. 240Ω
Load resistance	Romax.[Ω] = $\frac{U_{sup}[V] - U_{sup\_min}[V]}{0,0225A}$
Constant response time	22 ms (cannot be set by software)
Additional electronic damping	0...30s
Voltage for insulation testing	
– Exi, Normal version	500 V AC or 750 V DC
– "SA" version	100 V DC
Excess voltage protection	see p.9.6

#### 5.1.2. Permitted environmental conditions

Operating temperature range for:

- PCE-28.SMART -40°C ÷ 85°C (ambient temperature)
- PRE-28.SMART -25°C ÷ 85°C (ambient temperature)
- PCE-28P.SMART -25°C ÷ 80°C (ambient temperature)

Medium temperature range for:

- PCE-28.SMART -40°C ÷ 120°C – direct measurement
- PRE-28.SMART -25°C ÷ 120°C – direct measurement

Over 120°C measurement with the use of a transmission tube or diaphragm seal.

- PCE-28P.SMART -25°C ÷ 80°C



**Operating temperature range and medium temperature range for safe versions (Ex) in accordance with Appendix Ex.ATEX or Appendix Ex.IECEx.**

Thermal compensation range:

- PCE-28.SMART, PRE-28.SMART -25°C ÷ 80°C  
-40°C ÷ 80°C – special version
- PCE-28P.SMART 0°C ÷ 25°C  
-10°C ÷ 70°C – special version

Relative humidity 0% ÷ 98%  
Vibration during operation max 4g

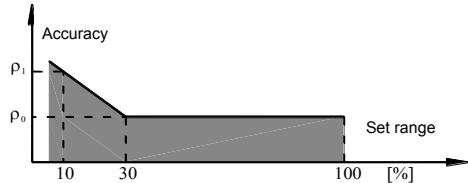
### 5.1.3. Construction materials

Diaphragm	Stainless steel 1.4435 (316L)
Sensing module	Stainless steel 1.4404 (316L)
Casing for electronic parts	Steel pipe, 1.4301 (304)
Connectors	Stainless steel 1.4404 (316L)
Liquid filling of the interior the sensing module	Silicone oil, chemically inactive liquid for measurement of oxygen
Cable shield in PK connector	Polyurethane, special version – Teflon
Housing display for ALW or ALM type connection	High pressure cast of aluminium alloy, lacquered with chemical resistant oxide enamel

### 5.1.4. Degree of protection according to EN 60529:2003

IP65 – for PD type connector  
 IP66/67 – for PZ type connector  
 IP67 – for PK type connector  
 IP68 – for SG type connector  
 IP67 – for PM12 type connector

### 5.1.5. Accuracy depending on the set range



$\rho_0$  – error for nominal measuring range (0...100%FSO)  
 $\rho_1$  – error for range (0...10%FSO)  
 $\rho_1 = 2 \times \rho_0$

## 5.2. PCE-28.SMART - Measurement ranges and metrological parameters

### 5.2.1. PCE-28.SMART, Measurement ranges

N°	Nominal measuring range (FSO*)	Minimum set range	Rangeability	Overpressure limit (without hysteresis)
1.	0...1000bar (0...100MPa)	10bar (1MPa)	100:1	1200bar (120MPa)
2.	0...600bar (0...60MPa)	6bar (600kPa)	100:1	1200bar (120MPa)
3.	0...300bar (0...30MPa)	3bar (300kPa)	100:1	450bar (45MPa)
4.	0...160bar (0...16MPa)	1,6bar (160kPa)	100:1	450bar (45MPa)
5.	0...70bar (0...7MPa)	0,7bar (70kPa)	100:1	140bar (14MPa)
6.	-1...70bar (-0,1...7MPa)	0,71bar (71kPa)	100:1	140bar (14MPa)
7.	0...25bar (0...2,5MPa)	0,25bar (25kPa)	100:1	50bar (5MPa)
8.	-1...25bar (-0,1...2,5MPa)	0,26bar (26kPa)	100:1	50bar (5MPa)
9.	0...7bar (0...0,7MPa)	0,07bar (7kPa)	100:1	14bar (1,4MPa)
10.	-1...7bar (-100...700kPa)	0,07bar (7kPa)	114:1	14bar (1,4MPa)
11.	-1...1,5bar (-100...150kPa)	0,12bar (12kPa)	20:1	4bar (400kPa)
12.	0...2bar (0...200kPa)	100mbar (10kPa)	20:1	4bar (400kPa)
13.	0...1bar (0...100kPa)	50mbar (5kPa)	20:1	2bar (200kPa)
14.	-0,5...0,5bar (-50...50kPa)	50mbar (5kPa)	20:1	2bar (200kPa)
15.	0...0,25bar (0...25kPa)	25mbar (2,5kPa)	10:1	1bar (100kPa)
16.	-100...100mbar*(-10...10kPa)	20mbar (2kPa)	10:1	1bar (100kPa)
17.	-15...70mbar (-15...7kPa)	5mbar (0,5kPa)	17:1	0,5bar (50kPa)

18.	0...1,3bar abs (0...130kPa abs)	100mbar abs (10kPa abs)	13:1	2bar (200kPa)
19.	0...7bar abs (0...0,7MPa abs)	100mbar abs (10kPa abs)	70:1	14bar (1,4MPa)
20.	0...25bar abs (0...2,5MPa abs)	0,25bar abs (25kPa abs)	100:1	50bar (5MPa)
21.	0...70bar abs (0...7MPa abs)	0,7bar abs (70kPa abs)	100:1	140bar (14MPa)
22.	0...300bar abs (0...30MPa abs)	3bar abs (300kPa abs)	100:1	450bar (45MPa)

\* only for transmitters without diaphragm seal

### 5.2.2. PCE-28.SMART, Metrological parameters

Accuracy	$\leq \pm 0,1\%$ of calibrated range
Long term stability (For the basic range)	$\leq$ accuracy/3 years
Error due to supply voltage changes	$\pm 0,002\%$ (FSO)/1V
Thermal error	$\pm 0,08\%$ (FSO)/10°C ( $\pm 0,1\%$ FSO/10°C for range n°16, 17)
Thermal error for the whole thermal compensation range	$\pm 0,25\%$ (FSO) ( $\pm 0,4\%$ FSO/10°C for range n°16, 17)

### 5.2.3. PCE-28.SMART, Pressure Connectors

- M-type connector with M20x1.5 thread – see figure 6a,
- P-type connector with M20x1.5 thread – see figure 7a,
- CM30x2-type connector with flush diaphragm – see figure 8a,
- G1/2 -type connector with G1/2" thread – see figure 9a,
- GP -type connector with G1/2" thread,
- CG1-type connector with G1" thread and flush diaphragm – see figure 9e,
- RM – type connector with M20x1,5 thread with radiator,
- RP – type connector with M20x1,5 thread with hole  $\Phi 12$  with radiator,
- G1/4 – type connector with G1/4" thread with hole  $\Phi 4$ ,
- 1/2NPT M type connector with 1/2NPT tread,
- R1/2-type connector with R1/2 treads,
- CG1/2-type connector with G1/2 treads and flush diaphragm,
- Other connection types by arrangement.

## 5.3. PRE-28.SMART - Measurement ranges and metrological parameters

### 5.3.1. PRE-28.SMART, Measurement ranges

N°	Nominal measuring range (FSO)	Minimum set range	Rangeability	Overpressure limit	Static pressure limit
1.	0...70bar (0...7MPa)	7bar (700kPa)	10:1	250 / (320 or 420bar option) (40bar for P-type connector)	(70bar for P-type connector)
2.	0...16bar (0...1,6MPa)	1,6bar (160kPa)	10:1		
3.	0...2,5bar (0...250kPa)	0,2bar (200kPa)	12,5:1		
4.	0...1bar (0...100kPa)	50mbar (5kPa)	20:1		
5.	0...0,25bar (0...25kPa)	10mbar (1kPa)	25:1		
6.	-0,5...0,5bar (-50...50kPa)	0,1bar (10kPa)	10:1		
7.	-100...100mbar (-10...10kPa)	10mbar (1kPa)	20:1		
8.	-5...70mbar (-0,5...7kPa)	4mbar (0,4kPa)	18:1		
9.	-25...25mbar (-2,5...2,5kPa)	2mbar (0,2kPa)	25:1		

### 5.3.2. PRE-28.SMART, Metrological parameters

Accuracy	$\pm 0,1\%$ of calibrated range
Long term stability (for the normal measuring range)	$\leq$ accuracy / 3 years
Error due to supply voltage changes	$\pm 0,002\%$ (FSO)/1V
Thermal error	$\pm 0,08\%$ (FSO)/10°C
Thermal error for the whole thermal compensation range	$\pm 0,3\%$ (FSO)
Zero shift error for static pressure*	$\pm 0,06\%$ (FSO)/10 bar (for range n° 1, 2) $\pm 0,01\%$ (FSO)/10 bar (for range n° 3, 4, 5, 6, 7, 9) $\pm 0,03\%$ (FSO)/10 bar (for range n° 8)

\* Zeroing the transmitter in conditions of static pressure can eliminate this error.



### 5.3.3. PRE-28.SMART, Pressure Connectors

**PRE-28.SMART** without diaphragm seals- P-type connector (fig.10 or C-type connector to mount together with a valve manifold see fig.11.

**PRE-28.SMART** with single direct diaphragm seal – as in the example (figure 13).

## 5.4. PCE-28P.SMART. Measurement ranges and metrological parameters.

### 5.4.1. PCE-28P.SMART, Measurement ranges

The **PCE-28P.SMART** probes are manufactured with measurement ranges in the interval 200÷3000mm H<sub>2</sub>O.

### 5.4.2. PCE-28P.SMART, Metrological parameters

	Measurement range	
	0...200÷500mm H <sub>2</sub> O	0...700÷3000mm H <sub>2</sub> O
Accuracy	0,1%	0,1%
Thermal error of zero	typically 0,3%/10°C, max 0,5%/10°C	typically 0,2%/10°C, max 0,3%/10°C
Thermal error of span	typically 0,2%/10°C max 0,3%/10°C	typically 0,2%/10°C max 0,3%/10°C
Hysteresis, repeatability	0,05%	

Long term stability ≤ 1,5 mm H<sub>2</sub>O + 0,16% range / for year

Error due to supply voltage changes ± 0,002%(FSO)/1V

## 6. CONSTRUCTION, PRESSURE CONNECTORS, ELECTRICAL CONNECTORS

### 6.1. Measurement Principles.

**PCE-28.SMART** series transmitters work by converting changes in the resistance of a piezoresistance bridge, which are proportional to the pressure difference being measured, into a standard current signal.

The active sensing element is a silicon diaphragm with four (bridge) piezoresistors, separated from the medium by a sealing diaphragm and manometric fluid.

The electronic system digitally processes the measurement signal and generates output signals: an analogue: 4÷20 mA signal, and a digital Hart communication signal.

A transmitter electrical block diagram is presented in Figure 1.

On the input circuit two analogue signals are formed, reflecting the measured pressure and the sensing module temperature. These signals are digitalized and inputted to a microprocessor which controls the transmitter's operation. Using data input during the production process adjusts for thermal errors and carries out linearization.

After processing, the digital signal is converted into an analogue 4÷20mA current signal, with a superimposed digital communication signal

For communication with the transmitter via analog signal line the Aplisens KAP communicator, or a PC computer meeting the requirements given in 10.2.4, is used.

The transmitter's input point is fitted with a noise filter and elements protecting against excess voltage. (see p. 9.4.2). The plasma surge arresters are not installed in the standard Exi version.

The plasma surge arrester can be installed on request, then the rating plate is marked "Version SA".

ALW-type or ALM-type transmitters have an integrated, configurable by the user, LCD display module (see p.10.3).

### 6.2. Construction.

The main components of the smart pressure transmitter is the sensing module, in which the pressure signal is converted into an electrical signal, and the electronic system, which converts the signal from the sensing module into a 4...20mA output analog signal and produces a digital Hart signal.

**6.2.1.** To the **PCE-28.SMART** sensing module transmitters may be installed the pressure connectors as in figures 9a, 10a, 11a, 12 listed in point 5.2.3 or other. They are equipped with a diaphragm separating the internal part of the module from the medium.

**6.2.2.** In the **PRE-28.SMART** transmitters, the sensing module has two kind of process connectors: P-type connectors (figure 13), or C-type with covers connecting for installation on a valve manifold (figure 14).

**6.2.3.** The **PCE-28P.SMART** probe consists of a sensing module and an electronic assembly, connected with an extension tube whose length depends on the depth being measured. The tube can be fitted with a flange for mounting on the cover of the tank (figure 15).

### **6.3. Casing, Electrical Connections**

**6.3.1.** The casing of the **PCE-28.SMART** series transmitters, made from  $\varnothing 27$  pipe, is permanently mounted on the sensing module as shown in figure 3 and 15. On the other side is a **PD** type electrical connector with PG-11 cable gland.

**6.3.2.** The **PCE-28.SMART** series transmitters may be fitted with a **PK** cable connector, **PKM** (with external thread  $\frac{1}{2}$  "NPT) or **PK** cable connector mounted similarly to the **PD** connector (see figure 3, 13). The body of the connector contains a permanently fixed and sealed cable of standard length 3m (other lengths can be produced to order). The cable contains a capillary, which connects one side of the measuring diaphragm to the atmosphere.

**6.3.3.** The **PCE-28.SMART** series transmitters with a **PZ** type connector has a terminal box permanently mounted on the upper part of the casing (figure 4). The box is closed with a lid. Mounted, on the inside, a terminal block equipped is with additional control terminals, connected to 1, 2 and 3 terminals.

**PZ** type connector has an internal, and in Ex version also external earthing terminal.

**6.3.4.** The **PCE-28.SMART** series transmitters may be fitted with a **SG** cable connector (see figure 3), or **SGM** (with external thread  $\frac{1}{2}$  "NPT).

In the connector housing is mounted cable gland providing degree of protection IP68. The cable contains a capillary, which connects one side of the measuring diaphragm to the atmosphere.

**6.3.5.** The **PCE-28.SMART** transmitters (only normal version) may be fitted with a **PM12** cable connector, mounted similarly to the **PK** connector.

**6.3.6.** The transmitters can also be fitted with connection type **ALW** (Figure 5) or **ALM** (Figure 6) with built-in local indicator of the size of the measured and **PD** or **PM12** electrical connection. The design of the display makes it possible to rotate  $\pm 180^\circ$ , in increments of  $90^\circ$  (Fig. 5), and the rotation of the housing relative to the axis of transmitter in the range of  $0 \dots 340^\circ$  (see Figure 3).

In order to access to the potentiometers zero and span, the display must be removed without electrical disconnecting from aluminium housing (see figure 7).

Transmitters with connection type **ALW** and **ALM** have external earth terminals.

## **7. PLACE OF INSTALLATION OF TRANSMITTERS**

### **7.1. General recommendations**

**7.1.1.** The pressure transmitters and differential pressure transmitter can be installed both indoors and outdoors. It is recommended that transmitters, with **PD** or **PM12** type electrical connector, installed outdoor should be placed in a box or under cover.

**7.1.2.** The place of installation should be chosen in such a way as to allow access to the device and to protect it's from mechanical damage. In planning the transmitter installation and the pulse lines configuration, should be paid attention to the following requirements:

- The impulse lines should be as short as possible, with a sufficiently large cross-section, and free of sharp bends, in order to prevent blockages;
- Where the medium is a gas, the transmitters should be installed above the measuring point, so that condensation flows down towards the site of the pressure measurement; where the medium is a liquid or where a protective liquid is used, the transmitters should be installed below the place where the pressure measurement is taken;
- The impulse lines should be inclined at a gradient of at least 10cm/m;
- The levels of filling liquid in the impulse lines should be equal or kept constant difference;
- The configuration of the impulse lines and the valve connection system should be chosen with regard to the measurement conditions and to requirements such as the need to reset the transmitters in position and the need for access to the impulse lines during water or gas removal and flushing.



**7.1.3.** Where there is a risk of heavy objects hitting the instrument (resulting, in extreme cases, in a part of the system with transducers being torn off and medium leakage), appropriate means of protection should be applied for safety reasons and to avoid the possibility of sparking or other, more appropriate location should be selected for the transmitter.



**7.1.4.** Attention should also be paid to possible installation faults which may lead to measurement errors, such as connections which are not tight, sediment blockage in lines which are too narrow, gas bubbles in a liquid line or liquid column in a gas line etc.

**7.1.5.** The level probes **PCE-28P.SMART** are installed in places where liquid levels are to be measured. The probe is immersed in the medium being measured, but the electronic circuit and connector should remain above the maximum level of the medium. When installing the probe, the zero position should be precisely determined. When the tube is particularly long, it should be fastened at two points. Roof or box should be used to shield electronic parts of the probe when it is installed in the open air. If there is a current or turbulence in the place where the probe will operate, a protective tube should be fitted.



The medium around the sensing module should not be allowed to freeze. This applies particularly to water when the probe is used in the open air. The sealing diaphragms should be checked regularly, and sediment deposits, blockages etc. should not be allowed to occur. Dirt should be removed only by dissolving or washing off.

## **7.2. Low Ambient Temperature.**



**When the solidification point of the liquid whose pressure is being measured is greater than the ambient temperature, steps should be taken to protect the measurement apparatus from freezing effects.**

This is particularly important in the case open-air installations. Protection is obtained by filling the impulse lines with a mixture of ethylene glycol and water, or another liquid whose solidification point does not exceed the ambient temperature. Thermal insulation can protect the transmitter casing and lines only from brief exposure to low temperatures. Where the temperature is very low, the transmitter and impulse lines should be heated.

## **7.3. High Medium Temperature.**

The **PCE-28.SMART**, **PCE-28.SMART** transmitters may be used to measure media with temperatures of up to 120°C. To protect the sensing module from temperatures higher than 120°C, long impulse lines are used to disperse the heat and to lower the temperature of the sensing module. Where it is not possible to use impulse lines of the required length, transmitters with remote diaphragm seals should be used (see "DIAPHRAGM SEALS" catalogue cards).



For Ex versions apply data by Appendix Ex.ATEX or Appendix Ex.IECEx.

## **7.4. Electrostatic hazards**

Varnish covering the casing of transmitter with display constitutes a non-conductive layer covering the conductive cover basis. Transmitters **PCE-28.SMART/ALW** or **PCE-28.SMART/ALM**, **PRE-28.SMART/ALW** or **PRE-28.SMART/ALM** should be installed in locations with no possibility of electrostatic charging. In particular through contact with electrified dust falling or exhaled from devices operating nearby.



For Ex versions apply data by Appendix Ex.ATEX or Appendix Ex.IECEx.

## **7.5. Mechanical Vibration, Corrosive Media**

**7.5.1.** Transmitters should correctly work with vibrations with amplitudes to 1,6mm and accelerations to 4g. If strong vibrations are carried via the pressure line and disturb of measuring, use should be made of elastic pulse lines or transmitters with a remote diaphragm seal.



**7.5.2.** Transmitters should not be installed in places where the diaphragm, made of 316L (steel 00H17N14M2), would be subject to corrosion by the medium being measured. If possible, transmitters with diaphragms made of Hastelloy C276 should be used, or other means of protection applied (e.g. in the form of a separating liquid) or transmitters with diaphragm seals adapted for measuring aggressive mediums according to "DIAPHRAGM SEALS" catalogue cards should be used).

## 8. INSTALLATION AND MECHANICAL CONNECTIONS

**8.1.** The **PCE-28.SMART** transmitters can be mounted directly on the rigid impulse lines.

For used connectors as in figures 9a, 10a, 11a, 12a, 12c, 12e, it is recommended that connection sockets be used as shown in figure 9b, 10b, 11b, 11c or 12b, 12d, 12f.

Where the connectors are as in figures. 10a, 11a, 12c or 12e gaskets are used with each transmitter.

The socket shown as in figure 11c, 12d and 12f can be obtained from the manufacturer.

The material of the seal is selected based on the pressure value and the type and temperature of the medium.

If the pressure is applied via a flexible plastic tube, the transmitter should be mounted on a support with Red Ø6-M reduction.

In case of metal pipes, the used connections should comply with PN-82/M-42306.

The types of the impulse tubes are to be selected depending on the measured value of the pressure and the medium temperature.

**8.2.** The **PRE-28.SMART** transmitters can be mounted directly on rigid impulse lines.

To connect the basic versions of transmitters, with two M20 x 1.5 stubs (P-type connector), one can use (for example) straight connecting elements with nuts.

If the pressure is carried via a flexible plastic tube, use an reduction elements "Red Ø6-M" (M20x1,5 / Ø6).

The **PRE-28.SMART** transmitters can be installed using the Assembly Kit, on a ø25 pipe or on a flat surface using an angle bracket (figure 17).

The **PRE-28.SMART** with connecting cover (C-type connector) are designed for installation on 3-valve or 5-valve manifolds, to a 2" pipe or to a flat surface using a fastener C2. (fig. 18) or "U" (fig. 19).

**8.3.** The **PCE-28.SMART** series transmitters can operate in any position.

When installed on an object with a high-temperature medium, it is advantageous to mount the transmitter in a horizontal position with the cable gland pointing downwards or to the side, in such a way that the transmitter is kept away from the stream of rising hot air.

Examples of the use of Aplisens assembly components to isolate the **PCE-28.SMART** transmitters from high temperature media are shown in figure 20.

The **PCE-28.SMART** series transmitters with radiator must be installed in a horizontal position.

When the measurement range is small, the reading can be affected by the position of the transmitter and by the configuration of the impulse lines and the way in which they are filled with liquid.

This error can be corrected using the zero-setting function.

**8.4.** In selecting assembly components, it may be helpful to consult information on Aplisens connection elements, reduction elements, sockets, valves, reduction clamps and signal tubes.

Information on this subject can be found in the catalogue cards "FITTING ACCESSORIES".

Transmitters with flange diaphragm seals are to be installed on the corresponding counter flanges on the facility.

It is recommended that the user matches the screw joints material to the pressure, temperature, flange material and seal to ensure tightness of the flange joint in the expected operating conditions.

Coarse-threaded screws complying with ISO 261 are to be used for flanges used in the **PCE-28.SMART**, **PRE-28.SMART** transmitters.

Additional data concerning the diaphragm seals are specified in the catalogue cards "DIAPHRAGM SEALS".

**Pressure may be transmitted to the installed device only after checking that it has a measurement range which properly corresponds to the value of the measured pressure, that gaskets have been properly selected and fitted, and the connector has been properly screwed tight.**

**Attempts to undo the screws or fixing connector pipes on a transmitter under pressure may cause the medium to leak and create hazards for the personnel.**

**When disassembling the transmitter, it is necessary to disconnect it from the process pressure or bring the pressure to atmospheric level, and to take particular care and precautions in case of media which are highly reactive, caustic, explosive or otherwise hazardous to personnel.**

**If necessary, rinse out this part of the system.**



## 9. ELECTRICAL CONNECTION

### 9.1. General recommendations

It is recommended that twisted pair cabling be used for the signal lines. If the transmitter and signal line are subject to a large amount of electromagnetic interference, then screened twisted pair cable should be used.

The signal wires should not run alongside network power supply cables or near to large electrically powered devices.

The devices used together with the transmitters should be resistant to electromagnetic interference from the transmission line in accordance with compatibility requirements.

It is also beneficial to use anti-interference filters on the primary side of the transformers, the power supplies used for the transmitters and apparatus used in conjunction with them.

### 9.2. Connections for transmitters with PD-type connector

The PCE-28.SMART series transmitters fitted with PD type connectors are to be connected as shown in fig.2a. To make the connections, remove the terminal block from the contact pins together with its cover.

Then remove the block from its cover, levering it off with the end of a screwdriver inserted into the slot provided for this purpose. Connect the wires to the block.



Where the isolation of the wires in the cable gland is ineffective (for example, when single wires are used) the opening of the gland should be carefully sealed with an elastic sealing compound to obtain IP65 ingress protection. It is useful to form the segment of the signal wire leading to the PG-11 cable gland into a protective loop to prevent condensation from running down in the direction of the gland.

### 9.3. Connections for transmitters with terminal box (PZ-type connector)

The transmitters with PZ-type connectors should be connected by linking the signal wires to a terminal block, as shown in figure 2b. Carefully screw in the cover and cork of the packing gland, making sure that the wire is tightly packed. Where necessary, the packing gland should be further sealed as described in 9.2.

### 9.4. Connections for transmitters with PK, PKD, PM12 or SG-type connector

The PCE-28.SMART series transmitters with PK, PKD connector or PCE-28.SMART transmitter with PM12, SG connector should be connected via a terminal box, in which the transmitter's cable is joined to the remainder of the signal line.

The terminal box must not be completely airtight, as the transmitter must be able to "breathe" through a capillary in the connector cable.

### 9.5. Connections for transmitters with ALW-type or ALM-type connector

Electrical connections transmitters equipped with ALW-type or ALM-type connector is the same as connecting transmitters with connectors PD or PM12.

### 9.6. Protection from excess voltage

9.5.1. The transmitters and probes may be in danger from excess voltage caused by connection faults or atmospheric electrical discharge.

Protection from excess voltage between the wires of the transmission line is provided by TVS diodes installed in all types of transmitter (see the table, column 2).

In order to protect against excess voltage between the transmission line and the casing or earth (not prevented by the diodes connected between the transmission wires), additional protection is provided in the form of plasma surge arresters (see the table, column 3) and in special Ex marked on the rating plate, "Exi SA version".

Internal protection of transmitters and probes:

1	2	3
Type of transmitter	Protection between wires (TVS diodes) – permitted voltage	Protection between wires and earth and/or casing – type of protection, permitted voltage
PCE-28.SMART series.	68V DC	Plasma surge arresters - 230V DC (for normal and SA version)

Additionally, it is possible use an external protective device, e.g. the UZ-2 Aplisens.

During a strong overvoltage stroke between the wires of the line, TVS protection diode may be damaged (damaged diode does not protect the electrical system of the transmitter).

Symptoms of damage:

- if the transmitter is connected to supply, the input current exceeds 20 mA, and the voltage on the transmitter electrical input is low, less than 1V. In the extreme case, after burn of the circuit board or wires inside the transmitter, the current is 0mA, and is full supply voltage at the transmitter input;
- the measured transducer input resistance is approximately  $10 \Omega$  in the case of short circuit, or infinity in the case of the burnout of the transmitter internal connections.

Damage of the gas arrester, much less likely to damage to the diode, it may also reveal in short circuit or in reduction of transmitter input resistance.



Insulation test voltage: 500V AC or 750V DC, relates to transmitters without gas arresters.

## **9.7. Earthing**

The transmitters are equipped with internal and external earth terminals.

**9.7.1.** The transmitters, in each solution, have terminals or wires for earthing that should be used in accordance with the installation design documentation.

Transmitters with PD electrical connector have earth terminal in connectors. These terminals should not be used to protective earth or to the equipotential bonding cable; they should be used only as a functional earthing (see p.9.7.2). The transmitters with PZ connectors are equipped with internal (in Ex versions also in external) earth terminal, to which one can connect functional either equipotential wires. Shields of the connecting cables for transmitters with PK, PKD, SG, PM12 cable connectors are led out for the user's disposal. Transmitters with connection ALW or ALM have an external earthing terminal.

Do not use the connecting cable shields to the protective earthing system, but only to the functional. The cable shield should be connected from one end of the connecting cable to the earthed transmitter, or to the earthed measuring system. If transmitters have certain galvanic connections to the well-earthed metal pipelines or tanks, through their process connections, additional functional earthing is not necessary.

**9.7.2.** Internal earthing terminals or external earthing terminals in connectors, within the manufacturer meaning, act as the functional terminals, i.e. those which should be used for the earthing in the absence of an earthing transmitter via process connection. In another situation, these terminals can be used to connect the cable shield to an earthed transmitter by process connection. In both cases, the functional earthing has to ensure the proper functioning of the transmitter, i.e. when the transmitter is earthed through the metal pipeline, and possible cable shield is connected to the measuring installation, functional earthing terminal should not be used.

## **10. SETTING AND REGULATION**

The **PCE-28.SMART** series transmitters are factory calibrated to the range stated in the order or to the basic range.

After installation, the transmitter's zero-point may drift and require adjustment.

This applies particularly in cases where the measurement range is small, where the impulse lines are filled with a separating liquid or where **PCE-28.SMART** series transmitters are used with remote diaphragm seals.

### **10.1. Transmitter Range, Definitions**

**10.1.1.** The maximum range of absolute or differential pressure which the transmitter can measure is called the **"basic range"** (for specifications of basic ranges see p.5.1).

The width of the basic range is the difference between the upper and lower limits of the basic range.

The internal characteristic conversion curve for the basic range is coded in the transmitter's memory.

This is the reference curve used when making any adjustments which affect the transmitter's output signal.

**10.1.2.** When the transmitter is in use the term **"set range"** is used. The set range is the range whose lower end-point corresponds to an output current of 4mA and whose upper end-point corresponds to a current of 20mA (or 20mA and 4mA respectively when the conversion curve is inverted).

The set range may cover the whole of the basic range or only a part of it.

The width of the set range is the difference between its upper and lower end-points.

The transmitter may be set to any range within the basic range of pressure values, subject to the restrictions set out in the table in p.5.1.

## 10.2. Configuration and Calibration

**10.2.1.** The transmitter has features which enable metrological and identification parameters to be set and altered. The configurable metrological parameters affecting the transmitter's output current include the following:

- a) unit in which the measured pressure is expressed on the display,
- b) upper end-point of the set range,
- c) lower end-point of the set range,
- d) time constant,
- e) type of characteristic curve: linear or radical.

Parameters of an informational nature which cannot be altered include the following:

- f) upper limit of the maximum range,
- g) lower limit of the maximum range,
- h) minimum range.

**10.2.2.** Other identification parameters, not affecting the output signal, include: device address, device type code, factory identification code, factory device code, number of preambles (3÷20), UCS, TSD, program version, electronics version, flags, factory number, label tag, description tag, date tag, message, record number, sensing module number.

The process of setting the parameters listed in p.10.2.1 and p.10.2.2 is called “**Configuration**”.

**10.2.3.** It is possible to carry out a “**pressure zeroing**” procedure, for example in order to compensate for measurement deviation caused by a change in position when the transmitter is installed.

The transmitter may also be **calibrated**, by taking readings with the input pressure controlled using a standard device. These process and zero-point adjustments are called “**Calibration**”.

**10.2.4. Configuration and Calibration** of the transmitter are carried out using an Aplisens KAP-03 communicator, certain Hart communicators or a PC with Hart/RS232 or Hart/USB/ converter and Aplisens “Raport2” software.

Together with the “RAPORT2” configuration software there is an „INTERVAL LINEARIZATION” software supplied to enable the input of 21-point nonlinear functional characteristics to the transmitter.

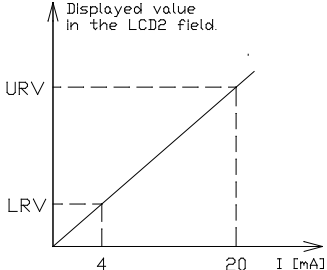
A description of the functions of the KAP communicator is contained in the KAP Communicator Operating Manual.



**After configuration it is important to protect the transducers using command HART [247]. During work transmitter should be safe prior to entries. This prevents accidental or intentional changes configurational data. The protection function is accessible in KAP-03 communicator, “Raport 2” software, as well as, in applying DD or DMT programs libraries.**





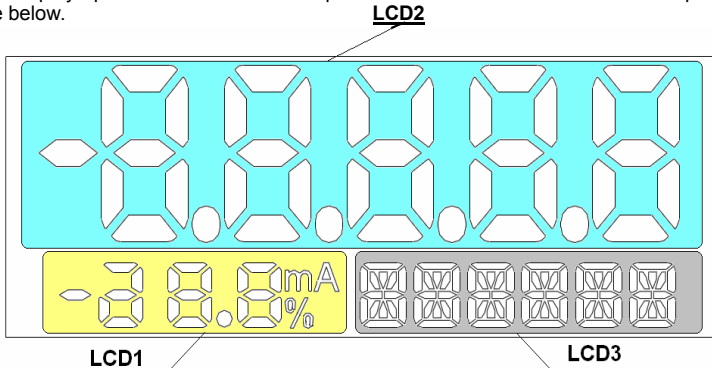
Local Menu		Description																
<b>EXIT</b>		Return from the Local menu to display the process variable.																
<b>UNIT</b>		Setting units																
	PRESS	Switching to pressure units selection.																
	TEMP	Switching to temperature units selection.																
	MISC	Switching to various units selection																
	USER	Switching to entering of user's units.																
	_____	Entering values of user's units (six alphanumeric characters). Buttons "↑" or "↓" are used to select each alphanumeric character of the entered unit. Addition of successive character is made by confirmation of the previous character (pressing [●] button). The device will confirm acceptance of the command with "DONE" message or will notify error number after confirmation of the last (6th) character.																
<b>SET LRV / SET URV</b>		<p>Function allows assigning the given values corresponding to the output signals 4 and 20 [mA]. Value after linear scaling is displayed in the LCD2 field. User may set any value of start and the end of the range. Percentage value of measured range is displayed in the LCD2 field as a standard.</p>  <p><b>Table.</b> Exemplary settings LRV , URV.</p> <table border="1" data-bbox="407 853 1050 1023"> <thead> <tr> <th>Unit</th> <th>LRV</th> <th>URV</th> <th>LCD2</th> </tr> </thead> <tbody> <tr> <td>mA</td> <td>4</td> <td>20</td> <td>Current in current loop</td> </tr> <tr> <td>%</td> <td>0</td> <td>100</td> <td>Output setting percentage - set as a standard</td> </tr> <tr> <td>Measurement range unit (e.g. kPa)</td> <td>Range beginning (e.g. 0)</td> <td>Range end (e.g. 100)</td> <td>Physical value measured (e.g. pressure)</td> </tr> </tbody> </table>	Unit	LRV	URV	LCD2	mA	4	20	Current in current loop	%	0	100	Output setting percentage - set as a standard	Measurement range unit (e.g. kPa)	Range beginning (e.g. 0)	Range end (e.g. 100)	Physical value measured (e.g. pressure)
	Unit	LRV	URV	LCD2														
	mA	4	20	Current in current loop														
	%	0	100	Output setting percentage - set as a standard														
Measurement range unit (e.g. kPa)	Range beginning (e.g. 0)	Range end (e.g. 100)	Physical value measured (e.g. pressure)															
XX.XXX UNIT		Actual value of start and end of the displayed range will be presented. Confirmation of this option allows assigning the given value to the start and end of the displayed range.																
+/- _____		Entering value of set range. Buttons "↑" or "↓" are used to select entered character. Addition of successive figure is made by confirmation of the previous one (pressing [●] button). Change of the figure or setting a comma is made using button "←" or "↓". The device will confirm acceptance of the command with "DONE" message or will notify error number after confirmation of the last (6th) figure. Parameter is entered in UNIT units.																
<b>LCD2DP</b>		Change of position of the decimal point of variable presented in the LCD2 field of the display.																
<b>FILTR</b>		Selection of averaging time of displayed process variable.																
<b>LCD1VR</b>		Type of process variable presented in the LCD1 field of the display.																
	CURREN	Value of current in current loop will be presented in the LCD1 field.																
	PERCEN	Percentage value of output setting will be presented on the display.																

### 10.3.2. Local Menu, error reports

During perform some functions in Local Menu may appear on LCD2 field an error message EXXXX (the letter E and 4 digits error code). The error message evidences about no realization of the command. The persistence of the error message for a long time indicates malfunction or improper operation of the display.

### 10.3.3. View local LCD display

Changes of the display options in local MENU are possible via the buttons. Transmitter display appearance is shown in figure below.



On the display can distinguish 3 main fields:

- **LCD1** – value of current or guidance percent preset range display. Depending on the display configuration will be displayed the current value of the current line  $4 \div 20\text{mA}$  with a resolution of 0.1mA, or percent guidance the preset range with a resolution of indications 1%.
- **LCD2** – digital value of measured pressure by transmitter, value of pressure rescaled according to the user's units or the error code. Decimal point position can be set in local MENU.
- **LCD3** – information field. During normal operation is designed for continuous display of the base unit or the user units. In case of errors in the transmitter's work, it displays an error number. In manual mode, the local change settings menu displays options of selecting the setting. It also displays errors related to the implementation of commands in the local menu of the settings change.

Display backlighting - local display is equipped in backlight which can be switched on or off depending on needs. Turn on the backlight increases the minimum supply voltage for all version of 3V. Enable or disable the backlight is possible using the jumper after removing the back cover of the display. Enable or disable backlight is shown in Figure 8.

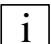
## 11. SERVICES AND SPARE PARTS.

### 11.1. Periodic service

Periodic service should be made in accordance with the user regulations. During service, the pressure connectors should be checked for loose connections and leaks, the diaphragm seals should be checked for tarnishing and corrosion, and the electrical connectors should be checked with regard to tightness the state of the gaskets, packing glands, and. If necessary check the transmitter measure characteristic by following the procedures for "Calibration" and, where appropriate, "Configuration".

### 11.2. Unscheduled inspections

If the transmitters are installed in a location where they may be exposed to mechanical damage, excess pressure, hydraulic impulses or excess voltage, or the diaphragm may be in danger from sedimentation, crystallization or erosion, inspections should be carried out as required.

 Where it is found that the signal in the transmission line is absent or its value is incorrect, a check should be made on the line and its terminal connections.

Check whether the values of the supply voltage and load resistance are correct.

If a communicator is connected to the power supply line of the transmitter, a fault in the line may be indicated by the message "No response" or "Check connection".

If the line is in order, check the operation of the transmitter.

### 11.3. Cleaning the Diaphragm Seal, Overloading Damage

11.3.1. Sediment and dirt which have formed on the diaphragm in the course of operation must not be removed by mechanical means, as this may damage both the diaphragm and the transmitter itself.

The only permitted method is the dissolving of sediment.

11.3.2. Sometimes transmitters malfunction due to damage caused by overloading, e.g. in case of:



- application of excessive pressure;
- freezing or solidification of the medium;
- action of a hard object, such as a screwdriver, on the diaphragm.

Usually in such cases the symptoms are such that the output current falls below 4mA or rises above 20mA, and the transmitter fails to respond to input pressure.

### 11.4. Spare parts.

The following transmitter parts may need replacing due to damage or normal wear:

PD connector – terminal block with angular cover and seal, connector base with seal, rating plate, case.



**Other parts, due to their special characteristics and anti-explosive requirements, may be replaced only by the manufacturer or an authorized firm.**

## 12. PACKING, STORAGE AND TRANSPORT

12.1. The transmitters should be packed singly or in sets, in such a way as to protect them from damage during transportation.

The transmitters should be stored in multiple packs under cover, in a place free of vapours and reactive substances, with temperature and humidity not exceed the limits specified in p.5.1.2.

Transmitters with uncovered diaphragm or seal connectors, stored without packaging, should have covers to prevent damage to the diaphragm.

During transportation, the transmitters should be packed and secured so as to prevent them from shifting.

Any means of transport may be used, provided direct atmospheric effects are eliminated.

12.2. The **PCE-28P.SMART** probes are individually packed. Individually packed probes are bound in packages containing several probes. Storage and transport as above.

### 13. GUARANTEE

Manufacturer warrants under the conditions specified in the Product Certificate which is also a guarantee card

### 14. SCRAPPING, DISPOSAL



Waste or damaged transmitters should be dismantled and disposed of in accordance with Directive (2012/19/UE) on waste electrical and electronic equipment (WEEE) or returned to the manufacturer.

### 15. ADDITIONAL INFORMATION

The manufacturer reserves the right to make constructional and technological changes which do not lower the quality of the transmitters.

#### 14.1. Related documents

- "KAP-03 – Communicator Operating Manual" supplied with the Aplisens communicator.
- "Raport2" software.
- „RAPORT 2" and converter HART/RS232 - User's manual.

#### 14.2. Related standards

PN-EN 60529:2003	Degrees of protection provided by enclosures. (IP Code)
PN-EN61010-1	Safety requirements for electrical equipment for measurement, control and laboratory use. General requirements.
PN-82/M-42306	Screwed connectors of pressure gauges.
PN-81/M-42009	Automatics and industrial measurements. The packing, the storage and transport of devices. General requirements.
PN-EN 1092-1:2004 (U)	Flanges and their joints – Circular flanges for pipes, valves, fittings and accessories. – Part 1: Steel flanges.

### 15. FIGURES

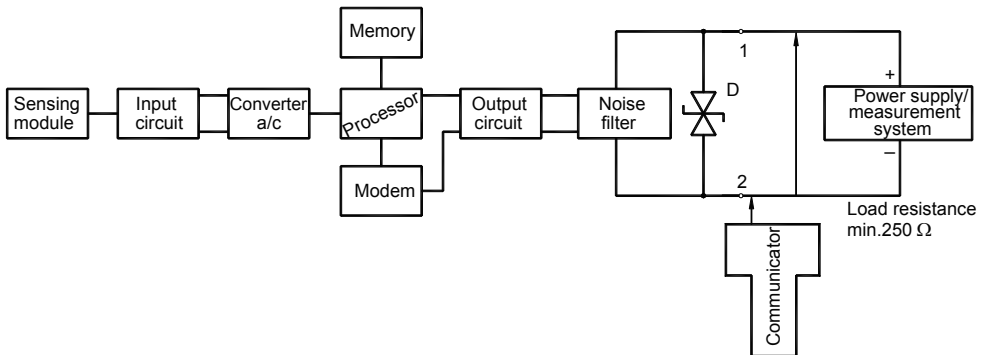


Fig.1. PCE-28.SMART series transmitters – block diagram.

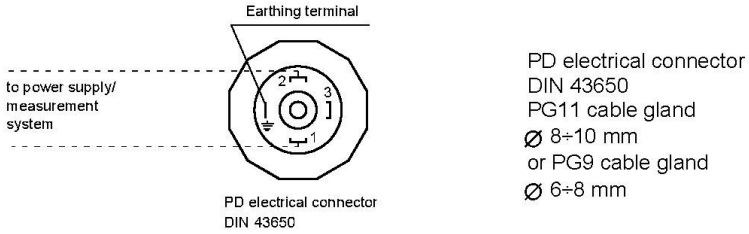


Fig. 2a

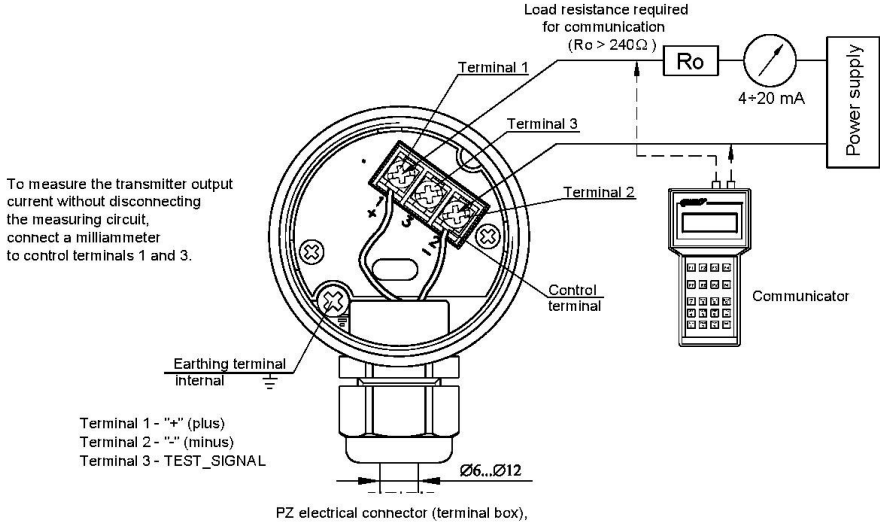


Fig. 2b

### Connecting the communicator

If the resistance ( $R_o$ ) seen from the transmitter to the line direction is greater than  $> 240 \Omega$ , is possible communicate to the transmitter via a connection to measurement line. ( $R_o$  = line resistance + load).

If  $R_o < 240 \Omega$ , there will be no communication and resistance in the line should be increased to at least  $240 \Omega$ .

Communicator should be connected to current loop as at Fig. 2b. It may be made both: in connecting box or to transmitter terminals.

The voltage fall on installed  $R_o$  resistor should be considered by establishing the voltage supply in transducer measured line (see p. 5.1.1.); necessary to verify isn't resistance sum in current loop exceed (see fig.2b).



Fig.2. Electrical connections. PCE-28.SMART series transmitters.

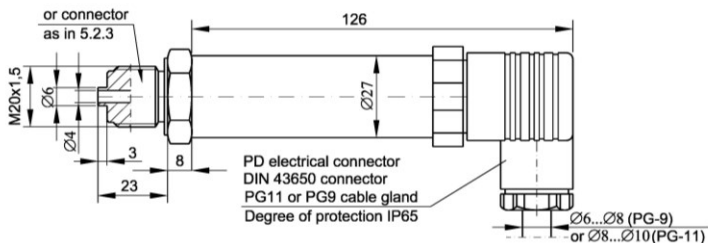


Fig.3a. PCE-28.SMART transmitter with PD connector

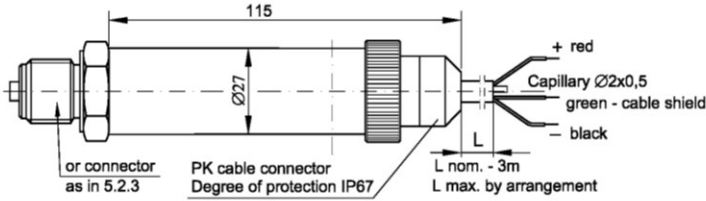


Fig.3b. PCE-28.SMART transmitter with PK connector

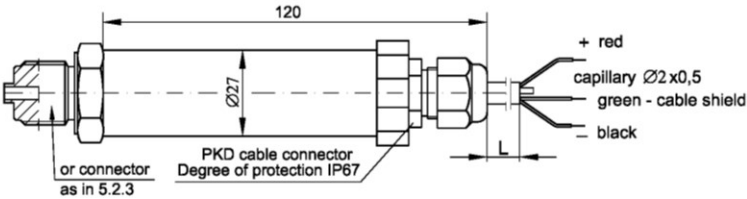


Fig.3c. PCE-28.Smart transmitter with PKD connector for output signal 4...20mA

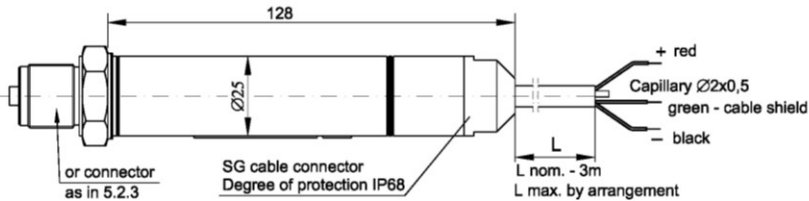


Fig.3d. PCE-28.SMART transmitter with SG connector

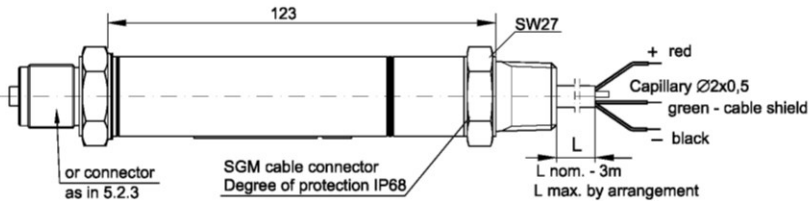


Fig.3e. PCE-28.SMART transmitter with SGM connector (1/2"NPT)

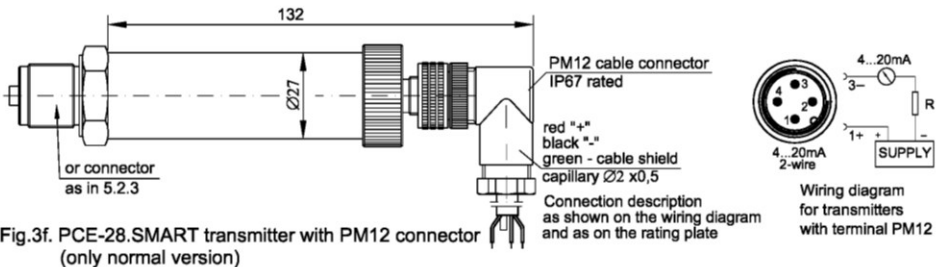


Fig.3f. PCE-28.SMART transmitter with PM12 connector (only normal version)

Fig.3. PCE-28.SMART pressure transmitter with PD, PK SG, PM12 connector.

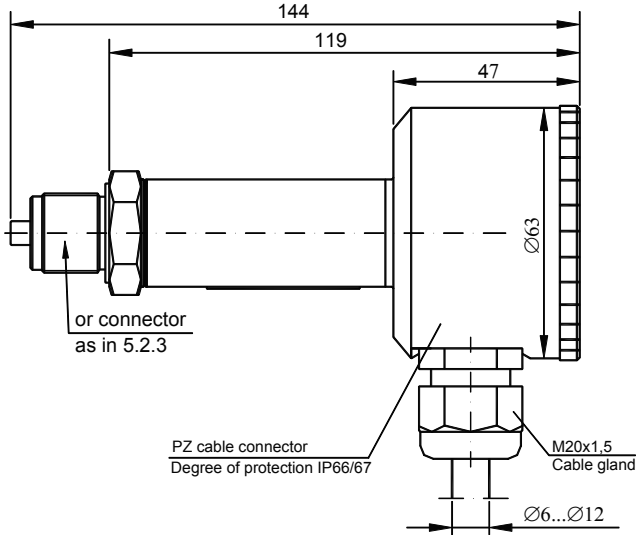


Fig.4. PCE-28.SMART pressure transmitter with PZ connector.

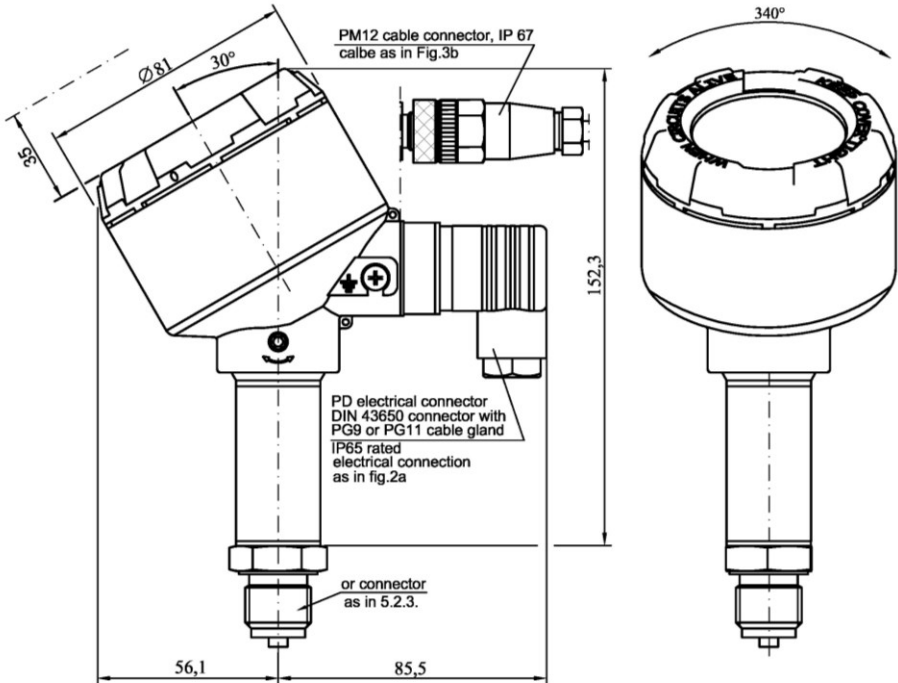


Fig. 5 PCE-28.SMART transmitter with ALW-type connector: dimensions and methods of connection

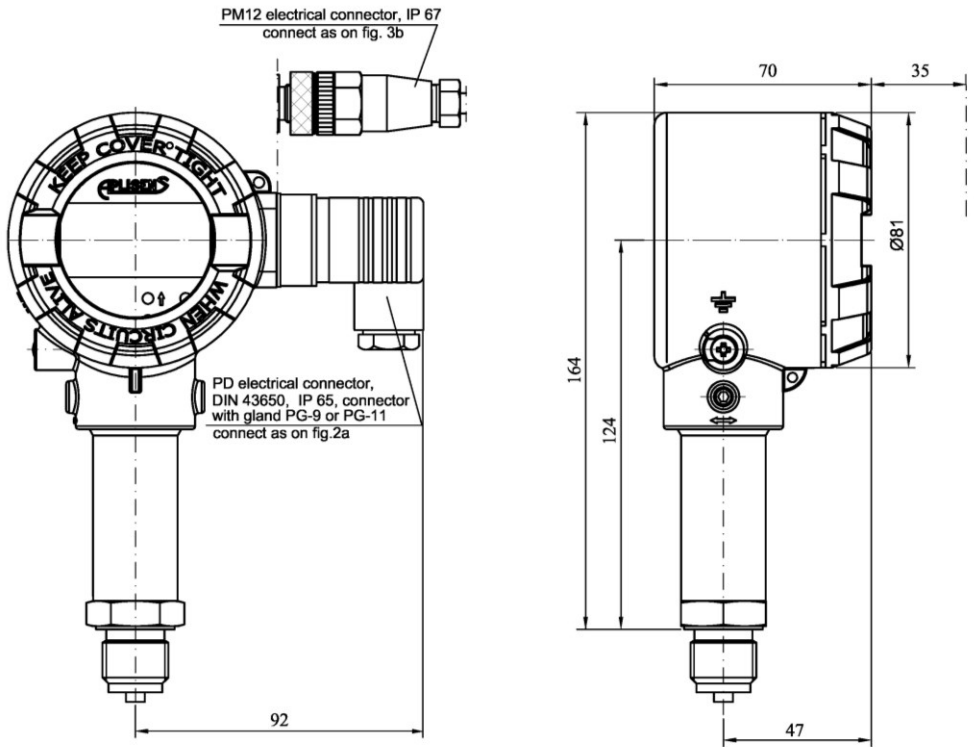
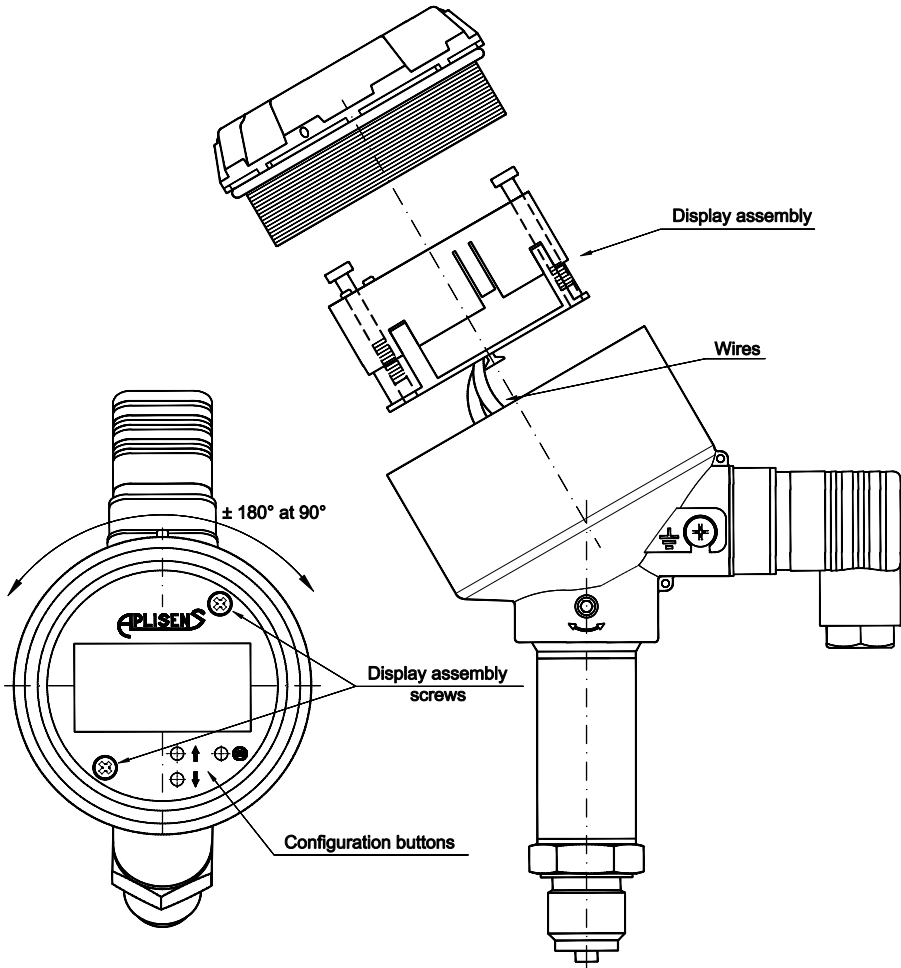


Fig. 6 PCE-28.SMART transmitter with ALM-type connector: dimensions and methods of connection





**Fig. 7.** View of the transmitter with ALW-type connector after removing the display cover

In order to change the display position or access to the potentiometers "ZERO", "SPAN" shall be:

1. Remove the display cover.
2. Remove the display assembly screws.
3. Carefully remove the LCD display assembly.
4. Set the LCD display to the desired position (possibility of rotation:  $\pm 180^\circ$  at  $90^\circ$ ) and / or set the "zero" and span according to p. 10.
5. Screw the display screws and the cover.

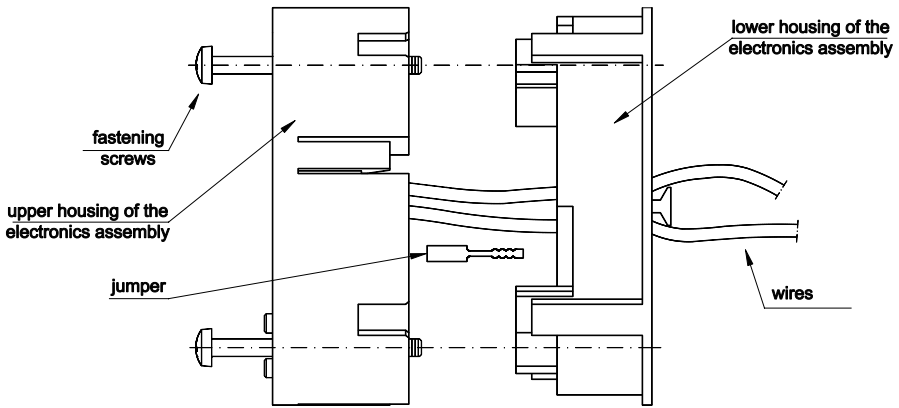


Fig. 8a. View of disassembled display assembly

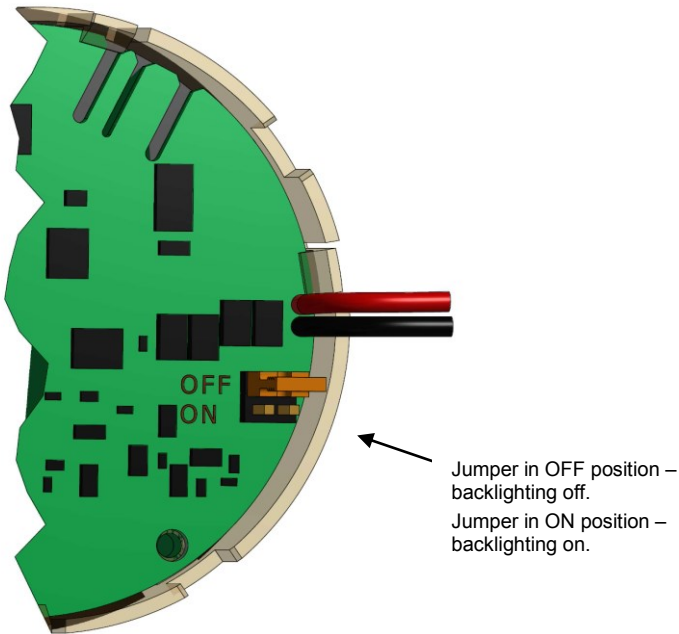


Fig. 8b. Backlighting jumper view at transmitter electric board (unit display back side)

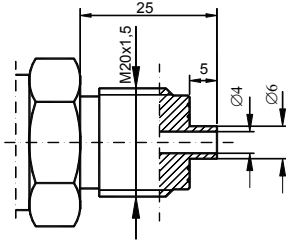


Fig.9a. M-type connector with M20x1.5 thread

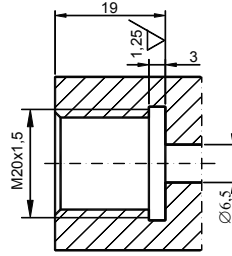


Fig.9b. Socket for use with transmitters with M-type connector.

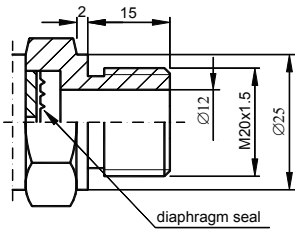


Fig.10a. P-type connector with M20x1.5 thread

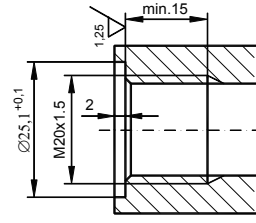


Fig.10b. Socket for use with transmitters with P-type connector P.

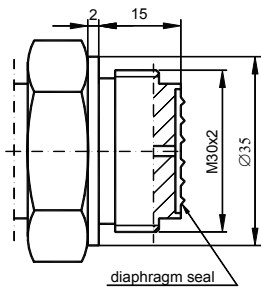


Fig.11a. CM30x2-type connector with flush diaphragm with M30x2 thread.

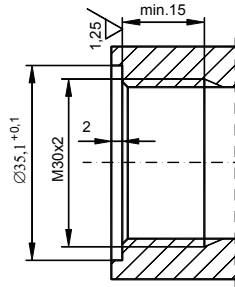


Fig.11b. Socket for use with transmitters with CM30x2-type connector with flush diaphragm.

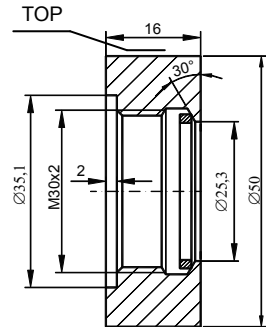


Fig.11c. Weldable fitting ring for use with transmitters with CM30x2-type connector  
Material: 316Lss  
Sealing: teflon

**Order code Socket CM30x2**

The ring in Fig. 11c must be welded in place with the word TOP upwards

**Fig.9.** M-type connector with M20x1.5 thread.

**Fig.10.** P-type connector with M20x1.5 thread.

**Fig.11.** CM30x2-type connector with flush diaphragm with M30x2 thread.



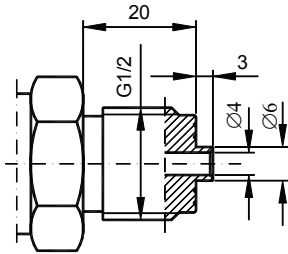


Fig. 12a. G1/2-type connector with G1/2" thread

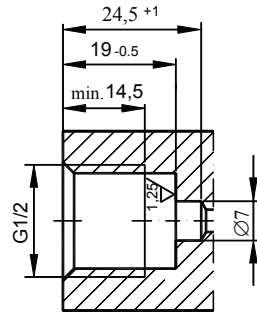


Fig. 12b. Socket for use with transmitters with G1/2-type connector.

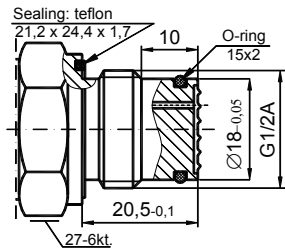


Fig. 12c. CG1/2 -type connector with flush diaphragm with G1/2" thread,

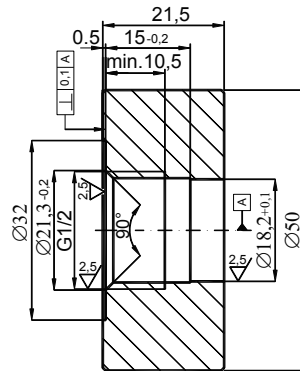


Fig. 12d. Weldable fitting ring for use with transmitters with CG1/2 - type connector  
Material - 316Lss  
**Order code Socket CG1/2**

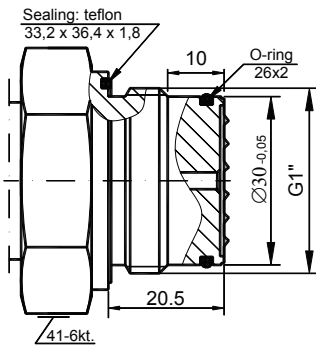


Fig. 12e. CG1-type connector with flush diaphragm with G1" thread,

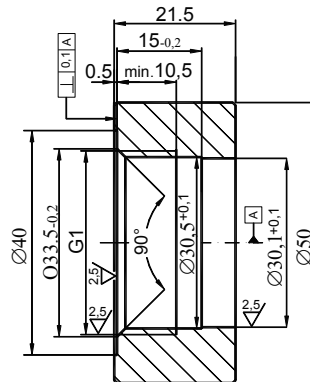


Fig. 12f. Weldable fitting ring for use with transmitters with CG1 - type connector  
Material - 316Lss  
**Order code Socket CG1**

**Fig.12. G1/2" and G1" Process connections.**

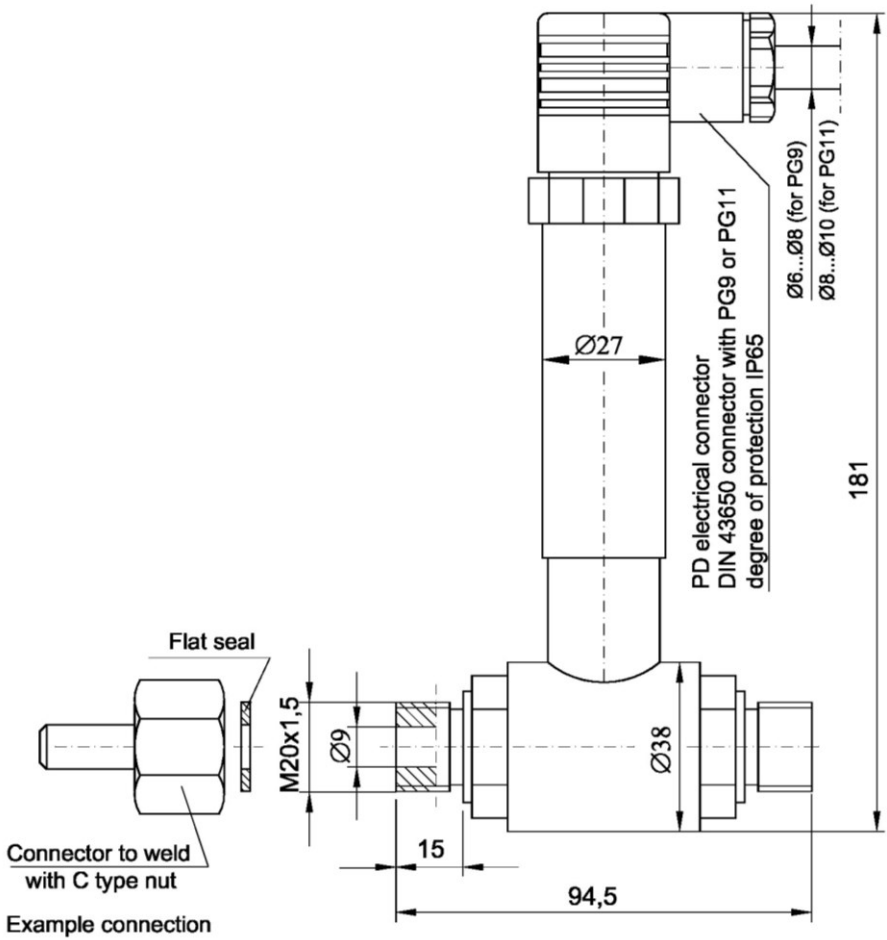
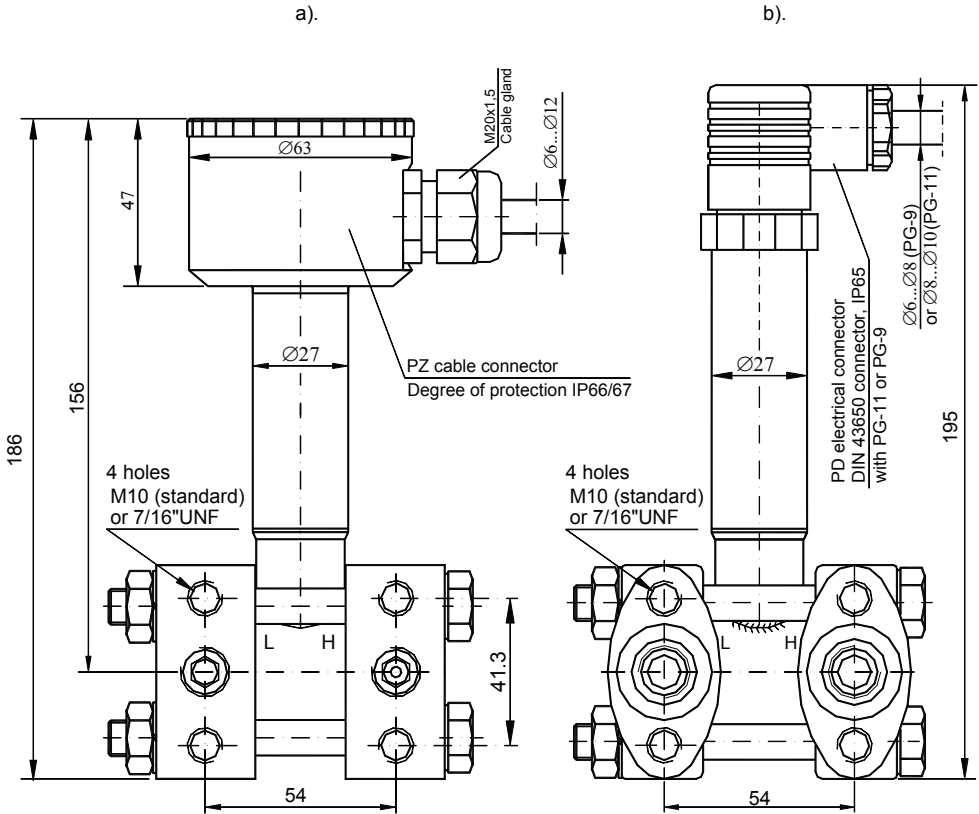


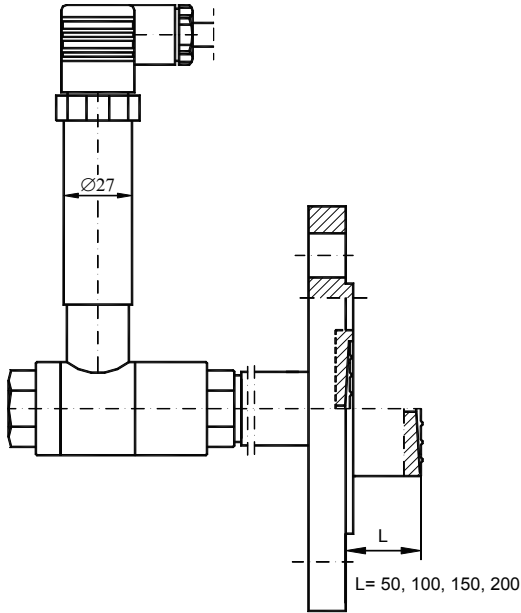
Fig.13. PRE-28.SMART differential pressure transmitter with PD, PK connector.



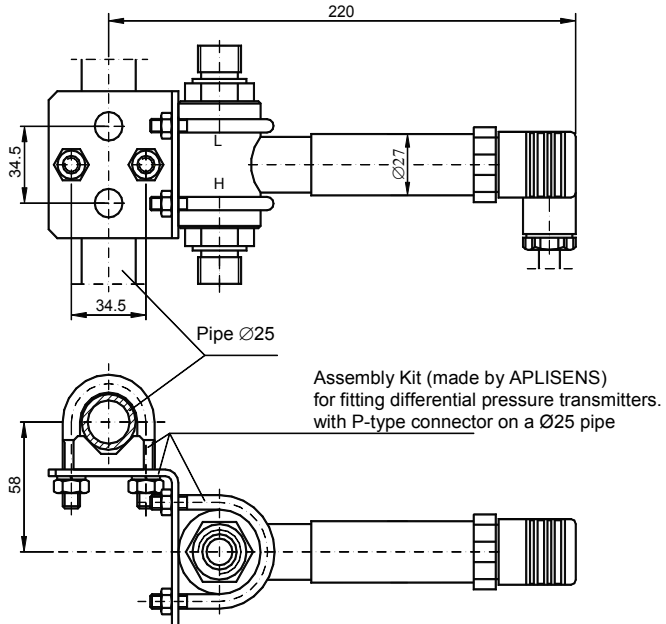
**Fig.14.** PRE-28.SMART differential pressure transmitter with C-type process connection to be mounted together with valve manifold.

- a) PRE-28.SMART differential pressure transmitter with PZ cable connector.
- b) PRE-28.SMART differential pressure transmitter with PD cable connector.





**Fig.16.** PRE-28.SMART differential pressure transmitter with a single direct diaphragm seal.



**Fig.17.** Example: how to install the PRE-28.SMART.



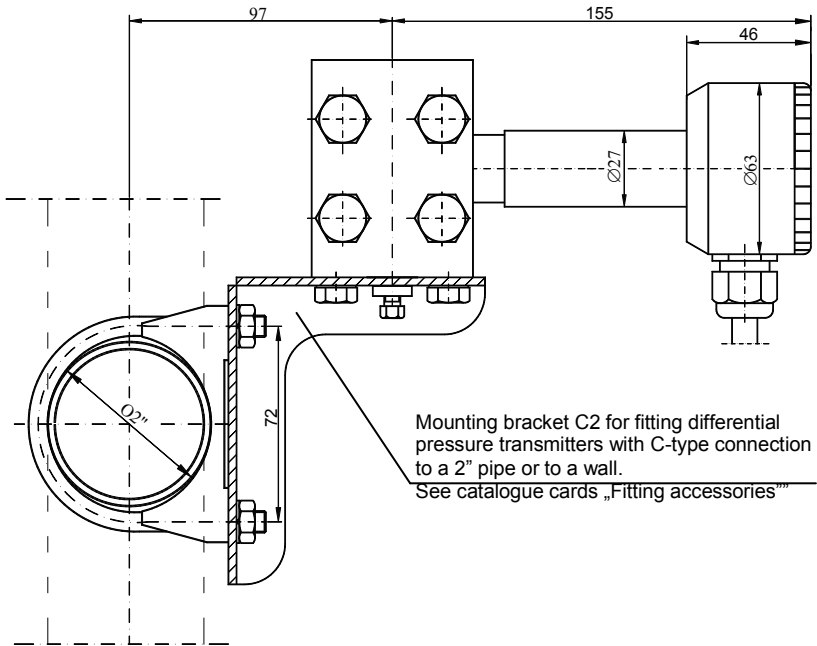


Fig.18. Example: how to install the PRE-28.SMART transmitter on a vertical or horizontal pipe.

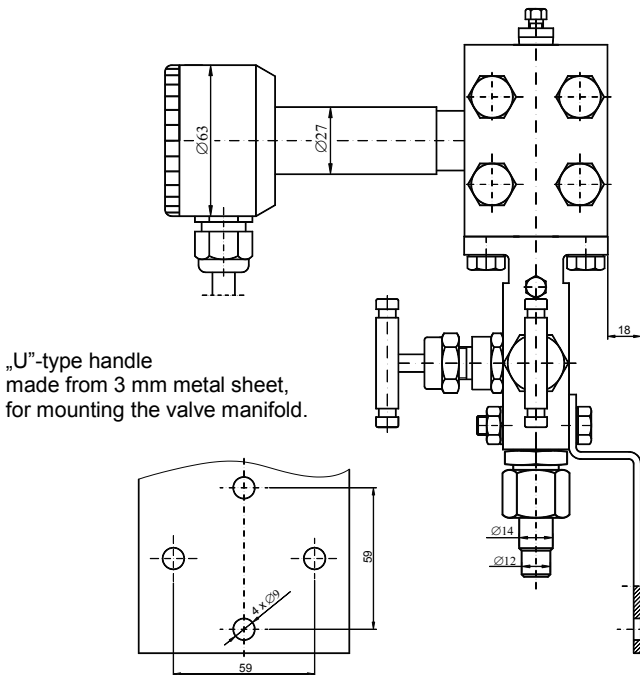
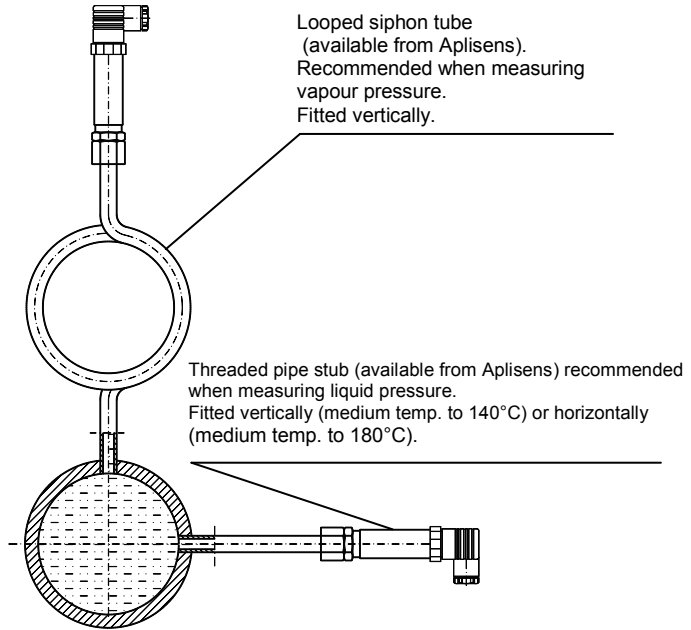
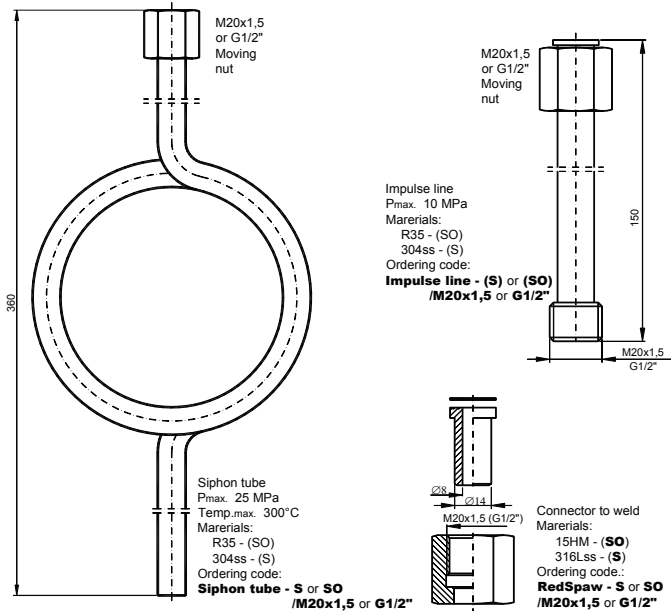


Fig.19. Example: how to install the PRE-28.SMART transmitter with a valve manifold to a wall.



**Fig.20.** Possible methods of isolating the transmitter from high temperatures.



**Fig.21.** Additional equipment for fitting of pressure transmitters.



